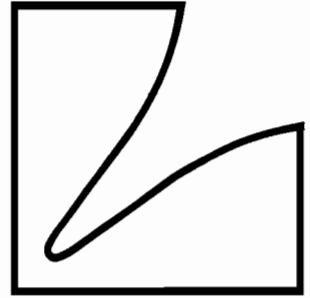
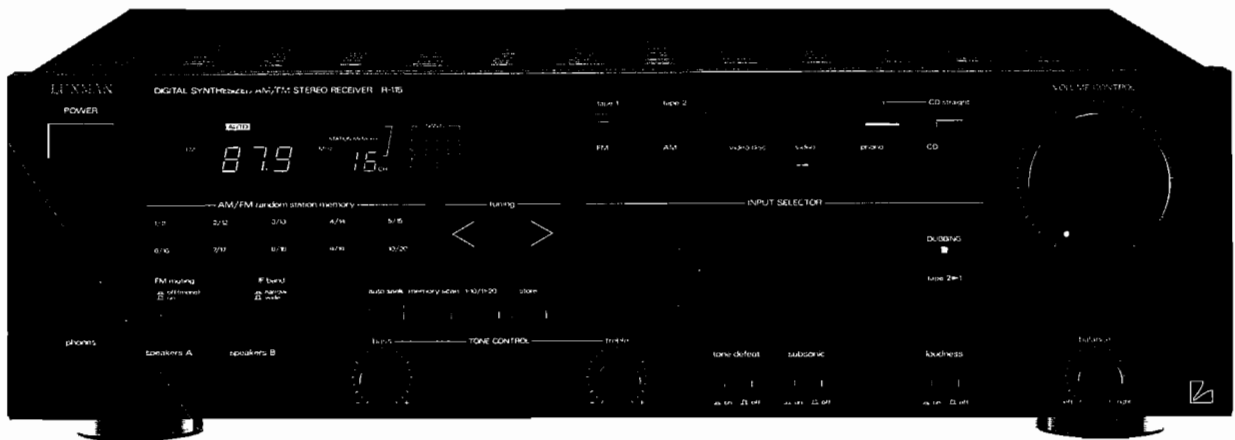


SERVICE MANUAL



Digital Synthesized AM/FM Stereo Receiver

R-115



Contents

Specification	3
Parts Location and Disassembly Instructions	4
Adjustment Procedures	5 to 8
Adjustment Locations	8 to 9
Block Diagram	10
Parts Layout on P. C. Boards and Wiring Diagram (1/3)	11 to 13
Parts Layout on P. C. Boards and Wiring Diagram (2/3)	14 to 16
Parts Layout on P. C. Boards and Wiring Diagram (3/3)	17 to 19
Schematic Diagram (1/4)	20 to 22
Schematic Diagram (2/4)	23 to 25
Schematic Diagram (3/4)	26 to 28
Schematic Diagram (4/4)	29 to 31
Electrical Parts List	32 to 42
Cabinet Assembly Parts List	43
Exploded View (Cabinet)	44 to 45
Packing Assembly Parts List	46
Packing Method View	46
Semi-conductor Lead Identification	47 to 54

Specifications

AUDIO SECTION

Input Impedance (at 1kHz)	Phono (MM) : 47K ohm \pm 10%
	CD : 47K ohm \pm 10%
	Tape-1/2 : 47K ohm \pm 10%
	Video : 47K ohm \pm 10%
Sensitivity for Rated Power	Phono (MM) : 2.5mV \pm 10%
	CD : 150mV \pm 10%
	Tape-1/2 : 150mV \pm 10%
	Video : 150mV \pm 10%
Frequency Response (Video, CD, Tape)	20Hz~20kHz \pm 0.3dB
	5Hz~140kHz +1, -3dB
S/N Ratio [Output : Tape Out (A-Weighted)]	Phono (MM) (5mV Input Shorted) : 82dB
[Output : Speaker Out at Rated Power (A-Weighted)]	CD (150mV Input Shorted) : 100dB
	Tape-1/2 (150mV Input Shorted) : 100dB
	Video (150mV Input Shorted) : 100dB
Cross Talk (10kHz)	60dB
Power Output (20Hz~20kHz) (T.H.D. 0.03%)	70W

VIDEO SECTION

Frequency Response (75 ohm Terminated)	10Hz~6MHz \pm 1dB
Video Input/Output (75 ohm Terminated)	1.0Vp-p \pm 5%

AM SECTION

Frequency Range	530~1,620kHz
IF Frequency	450kHz
Quieting Sensitivity (20dB)	600kHz : 1,000 μ V/m
	1,000kHz : 700 μ V/m
	1,400kHz : 700 μ V/m
S/N Ratio (100mV Input)	1,000kHz : 50dB
Selectivity (at S/N 20dB Input \pm 10kHz)	1,000kHz : 35dB
IF Rejection Ratio	600kHz : 50dB
Image Rejection Ratio	1,400kHz : 40dB
Distortion (T.H.D. at 100mV Input 30% mod)	1,000kHz : 0.5%

FM SECTION

Frequency Range	87.9~107.9MHz
Usable Sensitivity	98.1MHz : 13.2dBf
Quieting Sensitivity (50dB)	98.1MHz : 15.2dBf
S/N Ratio (65dBf Input)	98.1MHz : 79dB
Frequency Response (65dBf Input, 20Hz~15kHz)	98.1MHz : +0.5, -1.0dB
Distortion (65dBf Input)	98.1MHz : 0.08%
Capture Ratio	98.1MHz : 1.8dB
Alternate Channel Selectivity	98.1MHz (Wide) : 50dB
	98.1MHz (Narrow) : 75dB
Image Response Ratio	106.1MHz : 80dB
IF Response Ratio	90.1MHz : 100dB

GENERAL

Power Consumption	160W
Power Supply	120V, 60Hz
Semi-Conductors	28 IC's, 109 Transistors, 96 Diodes, 15 Zener Diodes
Dimensions	438 (W) \times 139 (H) \times 424 (D) mm
Weight	11.6kg

NOTE : Due to continuing product improvement, specifications and designs are subject to change without notice.

Parts Locations and Disassembly Instructions

AM/FM RANDOM STATION MEMORY Buttons and Indicators

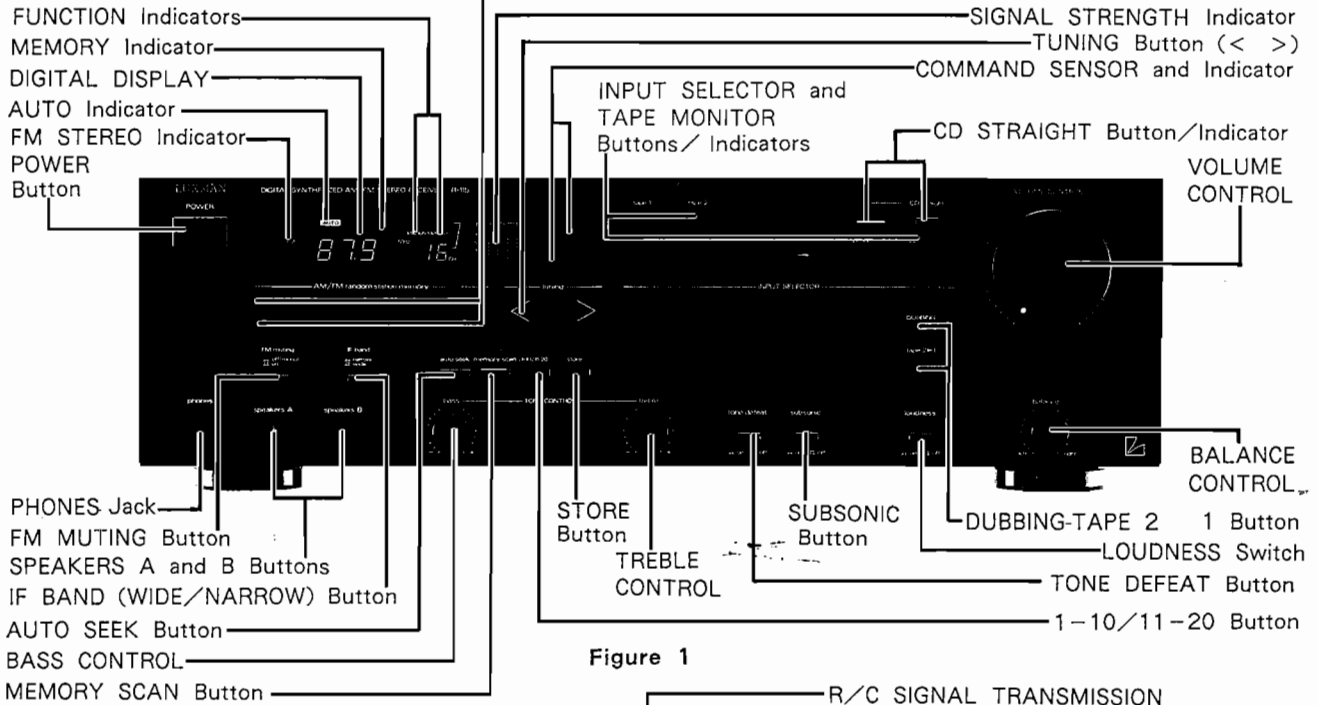


Figure 1

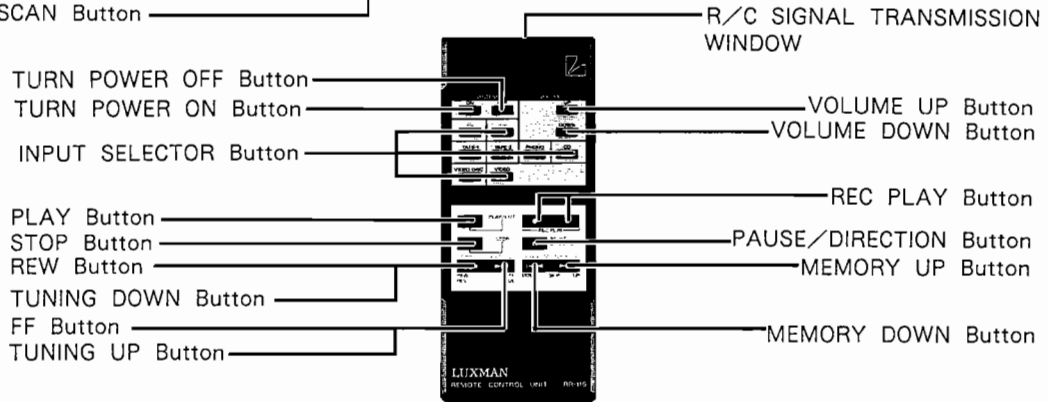


Figure 2

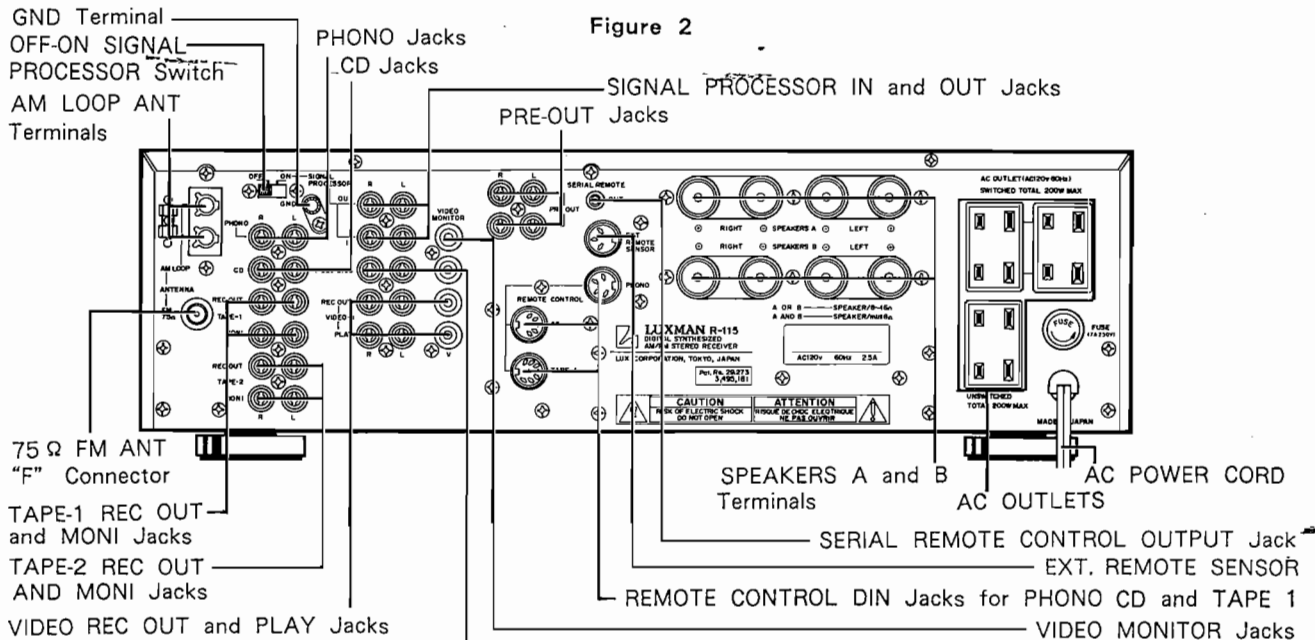


Figure 3

Adjustment Procedures

1. Audio Section

(1) Connection

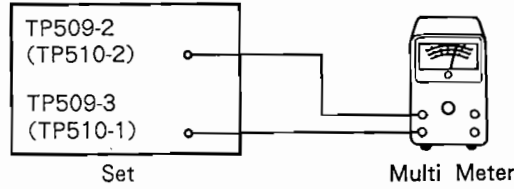


Figure 4

(2) Control Settings

- Volume Control Minimum
- Speaker Switch OFF

(3) Procedures

Step	Description	Adjust Points	Test Points	Connection	Remarks
	Idling Adjustment	SVR501 (L)	TP509-2 -3 L	Figure 4	Power switch on and wait 5 minutes for warming-up. Adjust to $6 \pm 2\text{mV}$.
		SVR502 (R)	TP510-1 -2 R		

2. Tuner Section

AM

(1) Connection

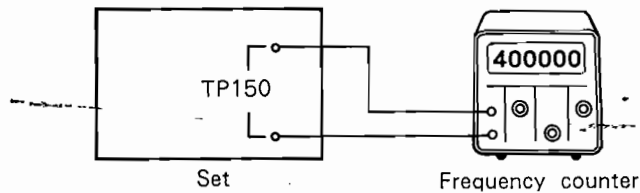


Figure 5

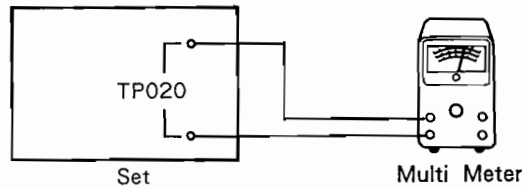


Figure 6

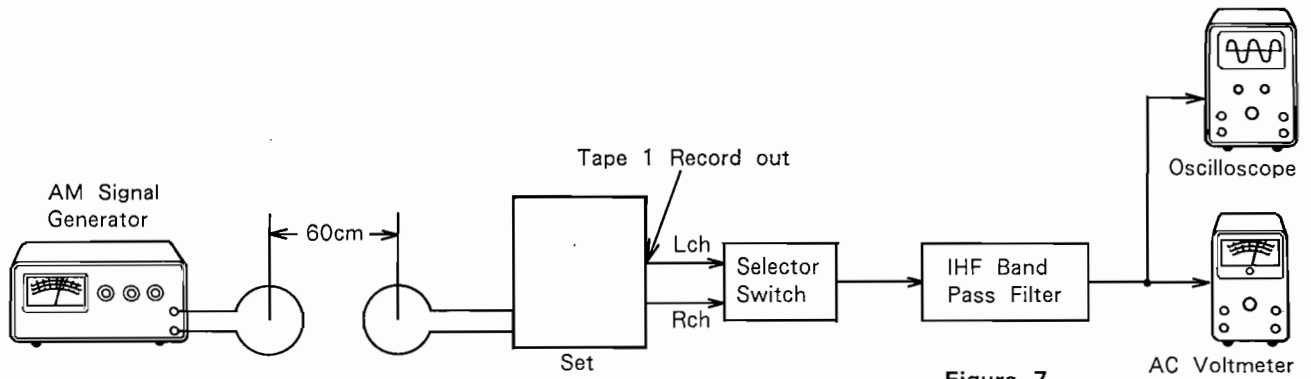


Figure 7

(2) Control Settings

- Input Selector AM
- Muting OFF

(3) Procedures

Step	Description	Signal Generator	Dial Control	Adjust Points	Test Points	Connection	Remarks
1	PLL Frequency Adjustment	—	—	TC151	TP150	Figure 5	Adjust to $400 \pm 0.002\text{kHz}$.
2	Tracking Adjustment	—	(1) 530kHz	L005	TP020	Figure 6	Adjust to $1.9 \pm 0.05\text{V}$.
			(2) 1,620kHz	TC052			Adjust to $22 \pm 0.5\text{V}$.
3	IF Adjustment	450kHz MOD : 400Hz 30%	1,000kHz	L004	Tape 1 Rec out	Figure 7	To maximum output.
4	Sensitivity Adjustment	600kHz	600kHz	L003	Tape 1 Rec out	Figure 7	To maximum output.
		1,400kHz	1,400kHz	TC051			To maximum output.
5	Muting Level Adjustment	1,000kHz 60dB $\mu\text{V}/\text{m}$	1,000kHz	SVR151	Tape 1 Rec out	Figure 7	Muting Switch ON. Rotate SVR151 fully counterclockwise. Then, return it clockwise with a waveform appears.
6	Signal Strength Meter Level Adjustment	1,000kHz 70dB $\mu\text{V}/\text{m}$	1,000kHz	SVR152			Adjust SVR152 so that segment 4 of the signal strength meter light up.

FM

(1) Connection

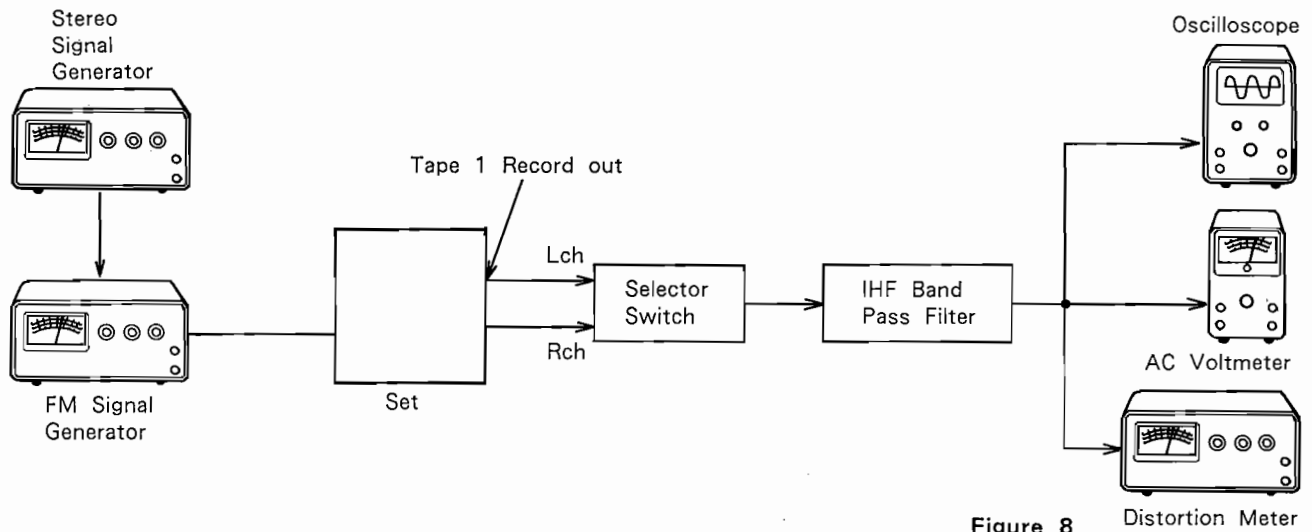


Figure 8

(2) Control Settings

Input Selector FM
 Muting OFF
 IF Band Wide

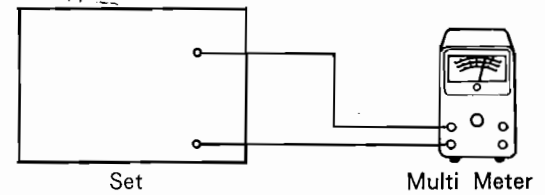


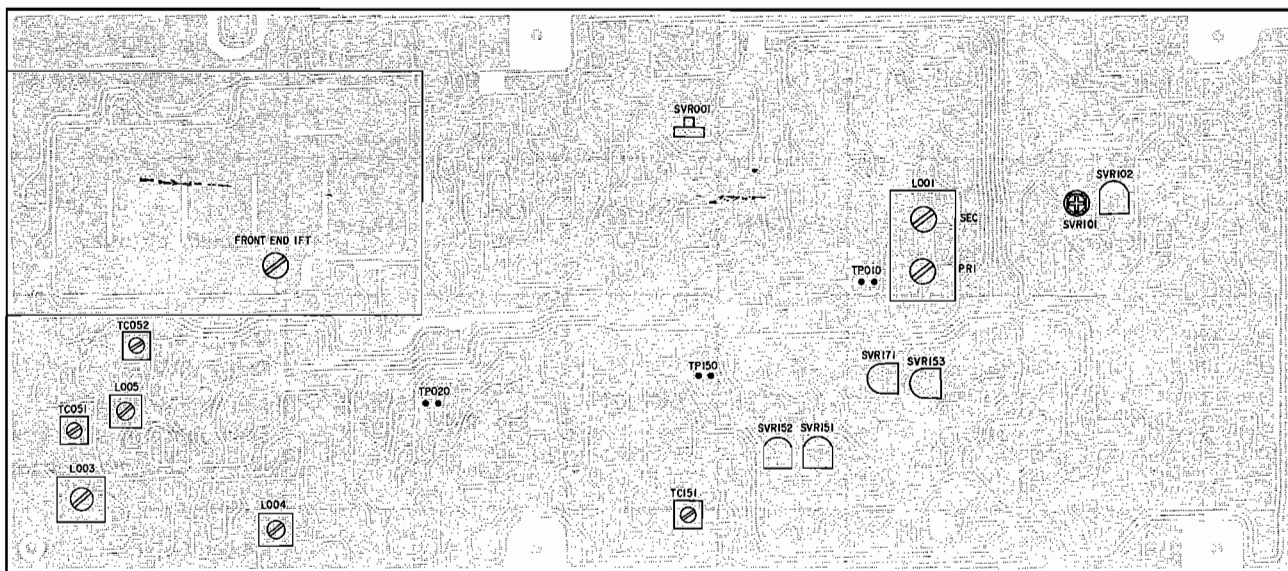
Figure 9

(3) Procedures

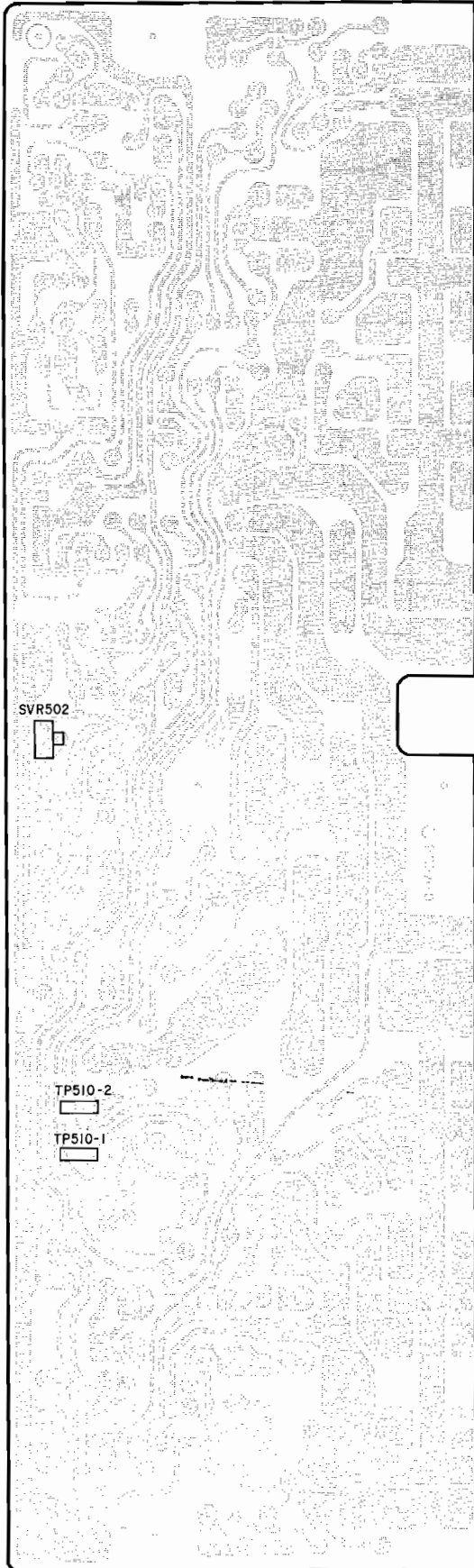
Step	Description	Signal Generator	Dial Control	Adjust Points	Test Points	Connection	Remarks
1	Center Voltage and THD Adjustment	98.1MHz 65dBf MOD : 1kHz 100% MONO	98.1MHz	L001 PRI L001 SEC	TP010 Tape 1 Rec out	Figure 9 Figure 8	1. Adjust L001 PRI to $0 \pm 3\text{mV}$. 2. Adjust L001 SEC to minimum distortion. Repeat Step 1, 2.
2	IF Adjustment	98.1MHz 65dBf MONO	98.1MHz	Front-end IFT	Tape 1 Rec out	Figure 8	Adjust Front-end IFT to minimum distortion.
3	Muting Level Adjustment	98.1MHz 31.2dBf MONO	98.1MHz	SVR001	Tape 1 Rec out	Figure 8	Muting Switch ON. Rotate SVR001 fully counterclockwise. Then, return it clockwise with a waveform appears.
4	Signal Strength Meter Level Adjustment	98.1MHz 23.3dBf MONO	98.1MHz	SVR171	—		Adjust SVR171 so that Segment 1 of the signal strength meter light up.

Step	Description	Signal Generator	Dial Control	Adjust Points	Test Points	Connection	Remarks
5	Separation Adjustment (WIDE)	(1) 98.1MHz 65dBf MOD : 1kHz L (R) only	98.1MHz	SVR101	Tape 1 Rec out	Figure 8	Adjust SVR101 to minimum at R (L) channel output.
6	Separation Adjustment (NARROW)	98.1MHz 65dBf MOD : 1kHz L (R) only	98.1MHz	SVR102	Tape 1 Rec out	Figure 8	IF Band Switch NARROW. Adjust SVR102 to minimum at R (L) channel out put.
7	Auto Hi-Blend Level Adjustment	98.1MHz 35dBf MOD : 10kHz L (R) only	98.1MHz	SVR153	Tape 1 Rec out	Figure 8	Rotate SVR153 fully counterclockwise Then, return it clockwise until a waveform disappears.

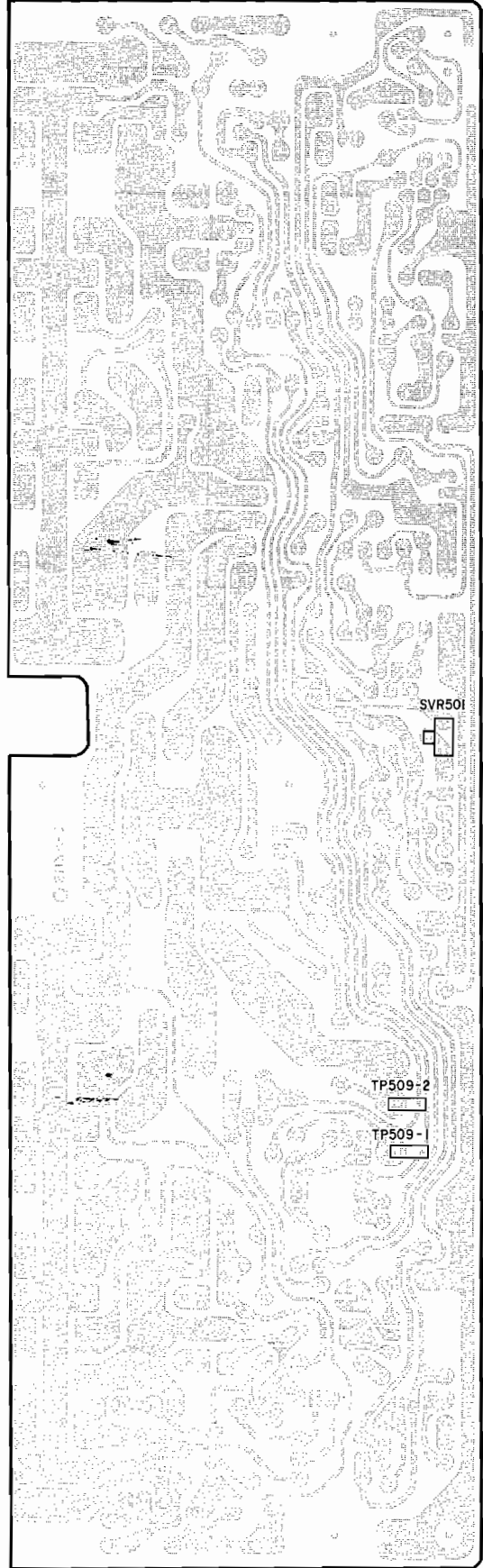
Adjustment Locations



Tuner P. C. Board

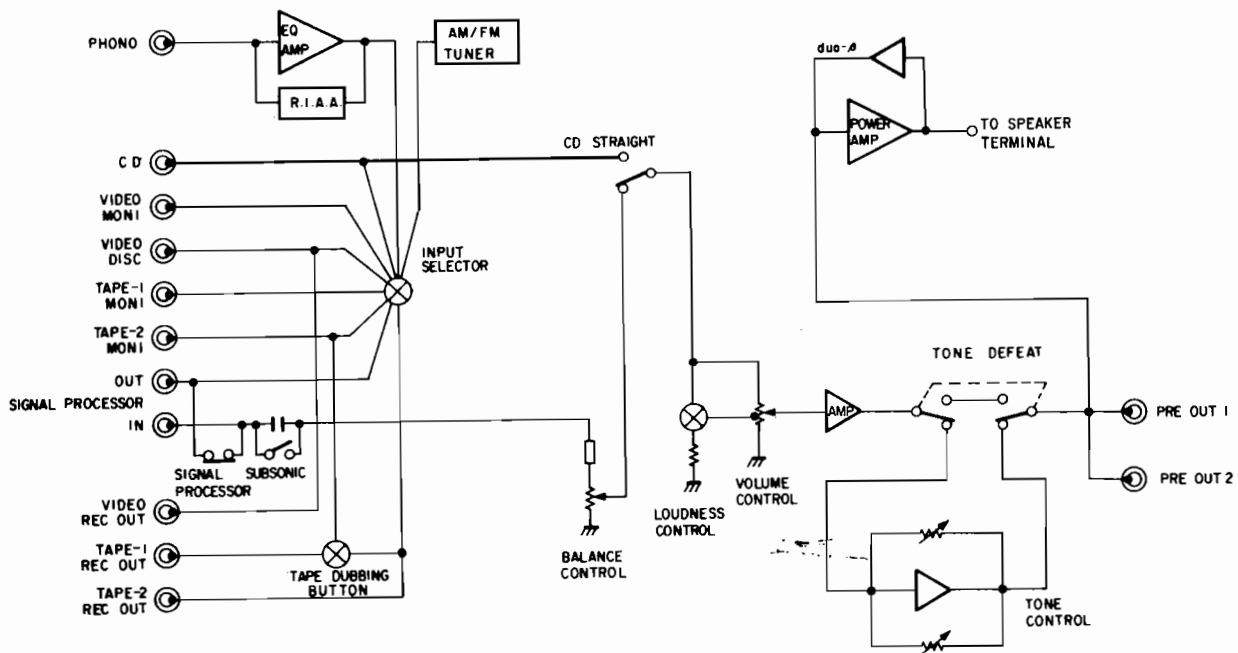


Main P. C. Board (R)

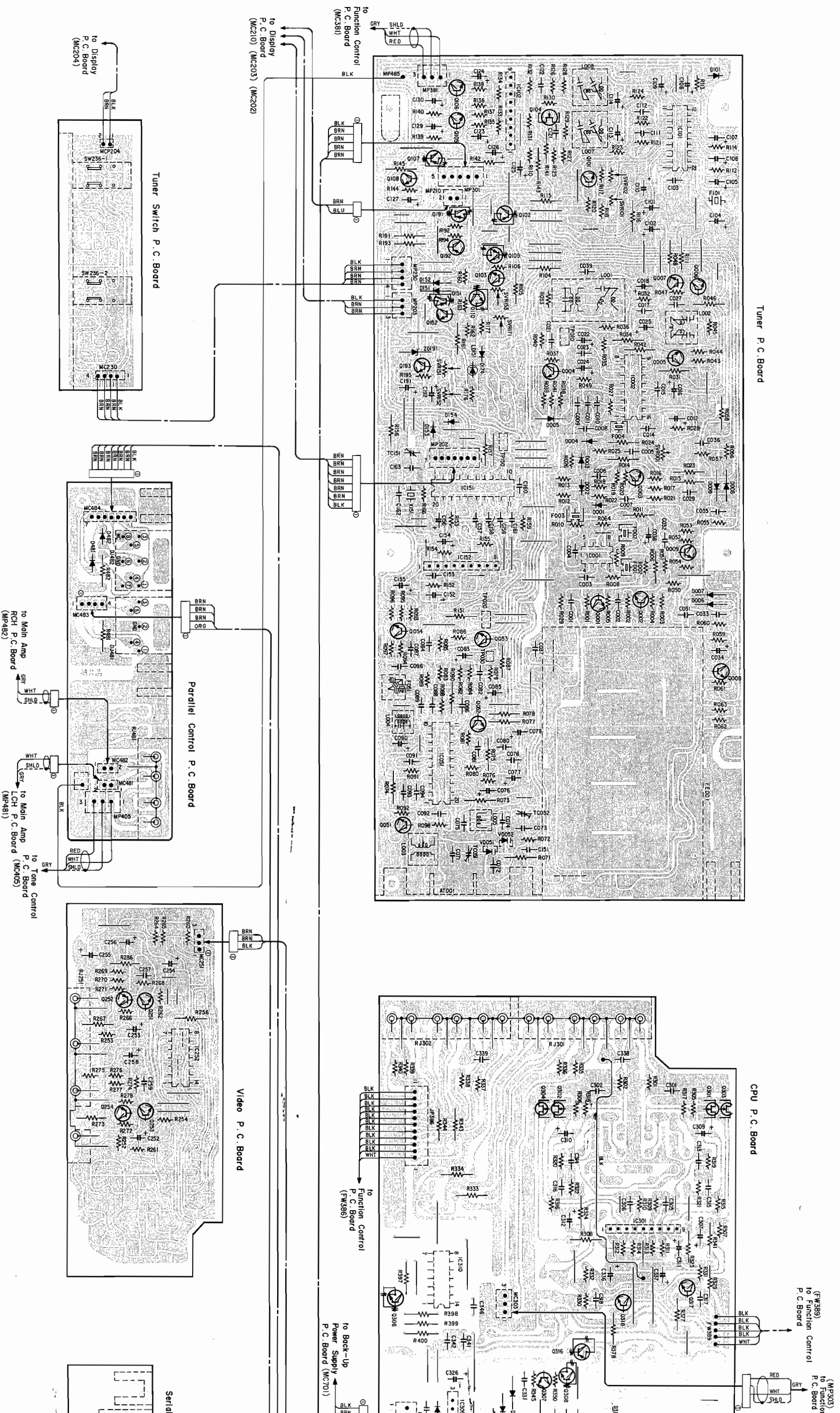


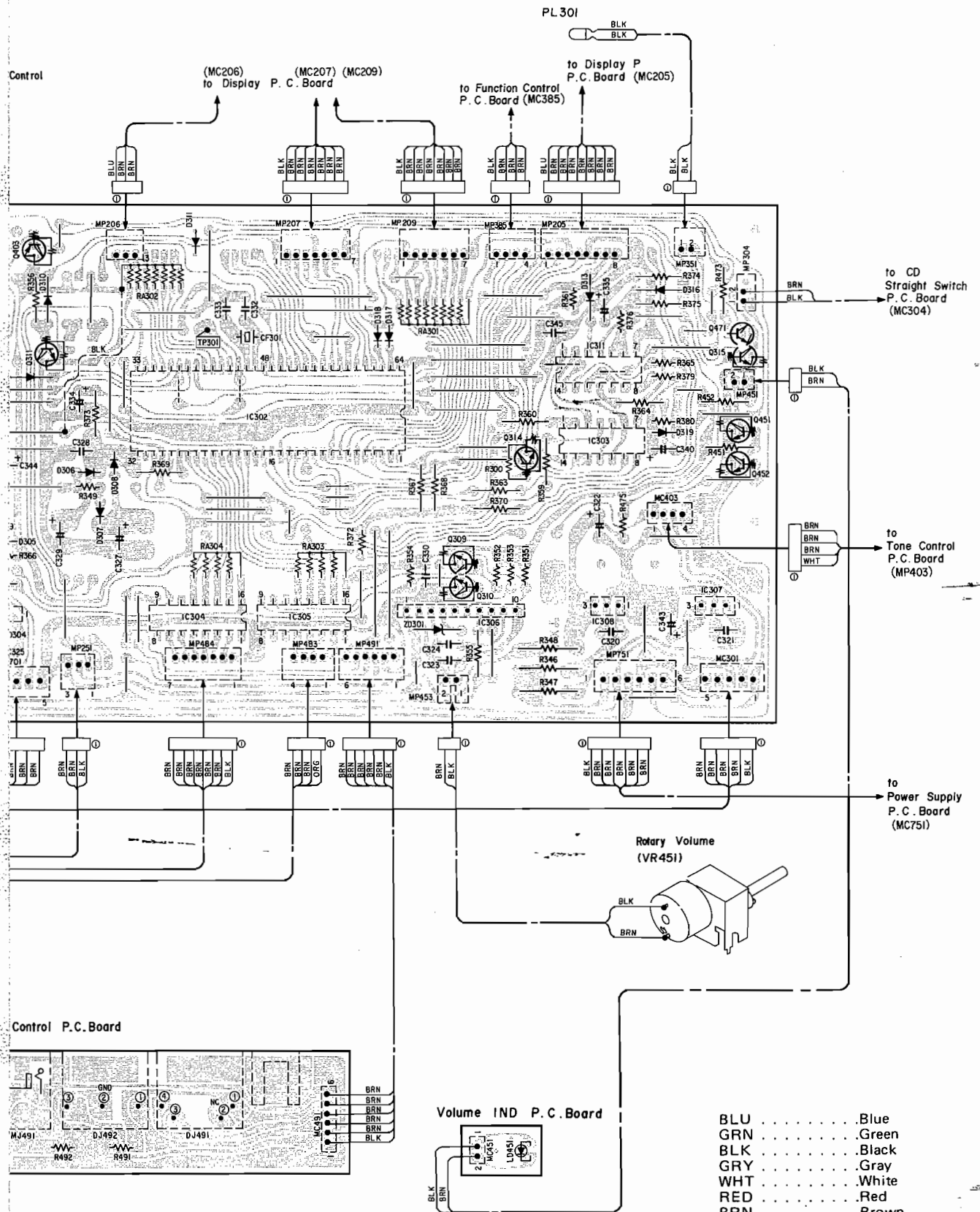
Main P. C. Board (L)

Block Diagram



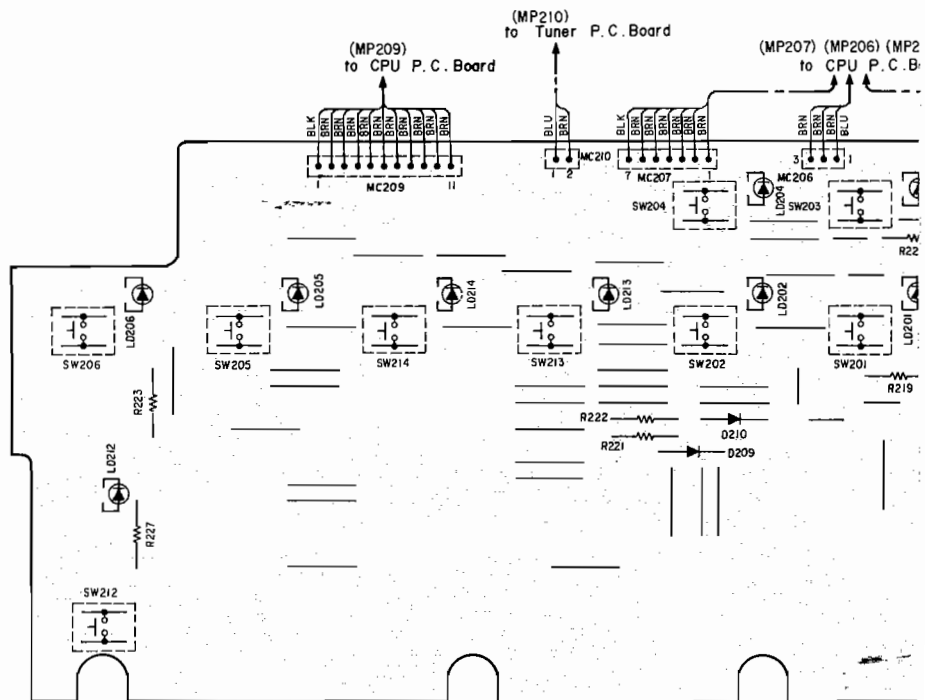
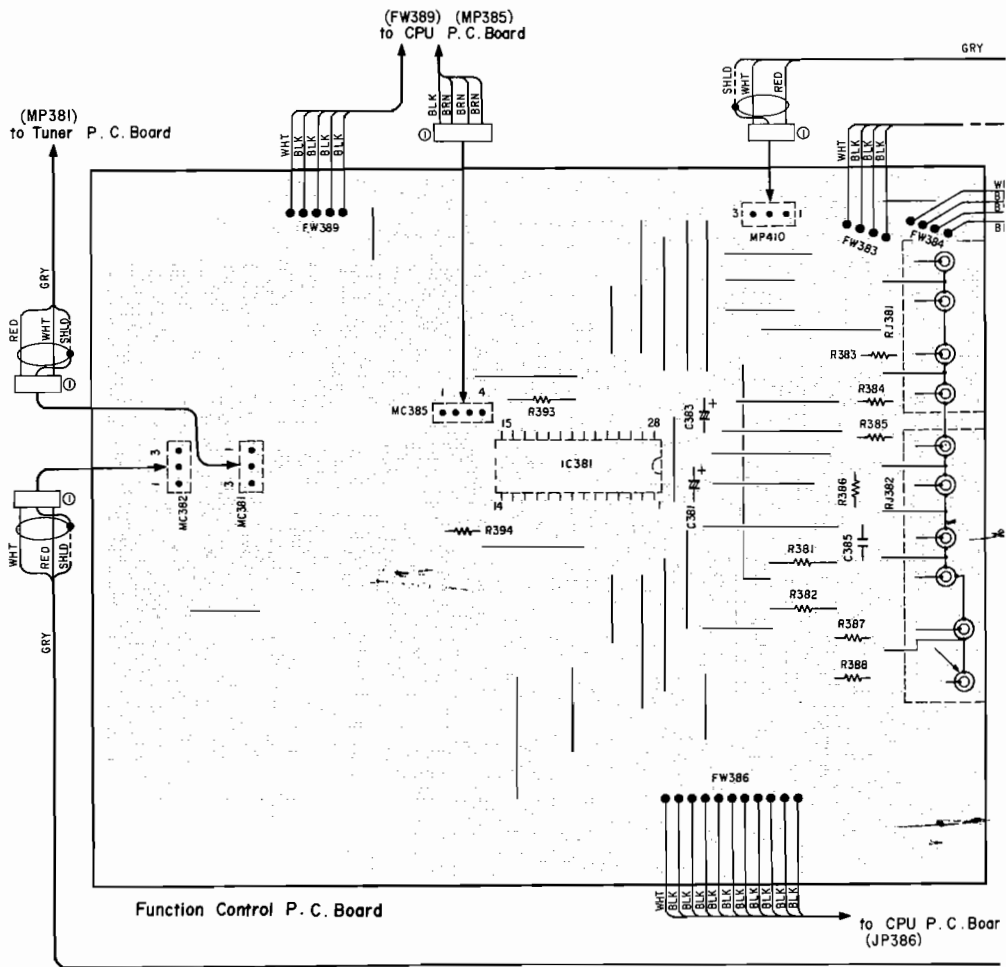
Parts Layout on P.C. Boards and Wiring Diagram (1/3)

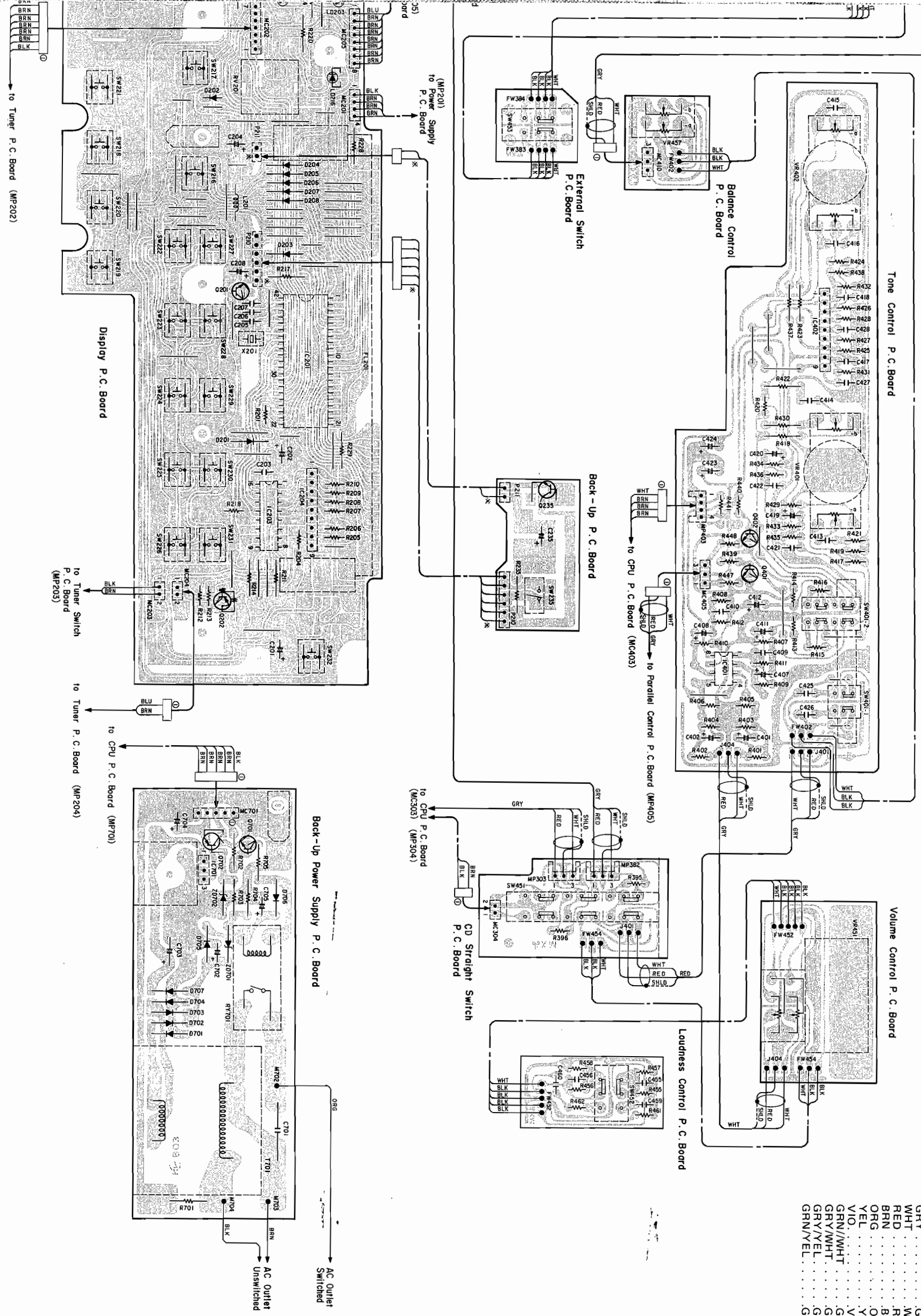




- BLU Blue
- GRN Green
- BLK Black
- GRY Gray
- WHT White
- RED Red
- BRN Brown
- ORG Orange
- YEL Yellow
- VIO Violet
- GRN/WHT Green/White
- GRY/WHT Gray/White
- GRY/YEL Gray/Yellow
- GRN/YEL Green/Yellow

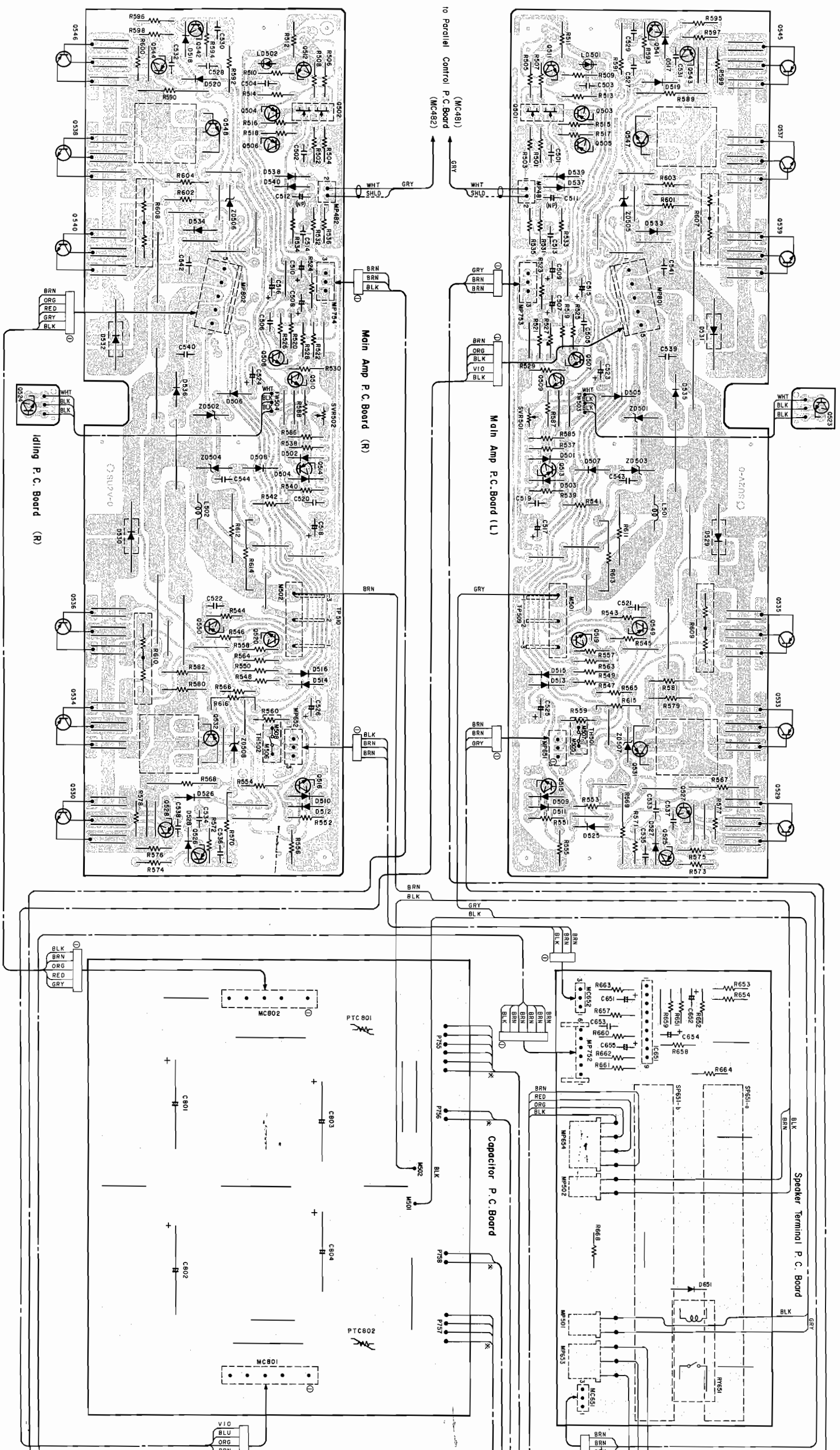
Parts Layout on P.C. Boards and Wiring Diagram (2/3)





- BLU Blue
- GRN Green
- BLK Black
- GRY Gray
- WHT White
- RED Red
- BRN Brown
- ORG Orange
- YEL Yellow
- VIO Violet
- GRN//WHT Green/White
- GRY//WHT Gray/White
- GRY/YEL Gray/Yellow
- GRN/YEL Green/Yellow

Parts Layout on P.C. Boards and Wiring Diagram (3/3)



Idleing P.C. Board (L)

Main Amp P.C. Board (L)

Main Amp P.C. Board (R)

Idleing P.C. Board (R)

Speaker Terminal P.C. Board

Capacitor P.C. Board

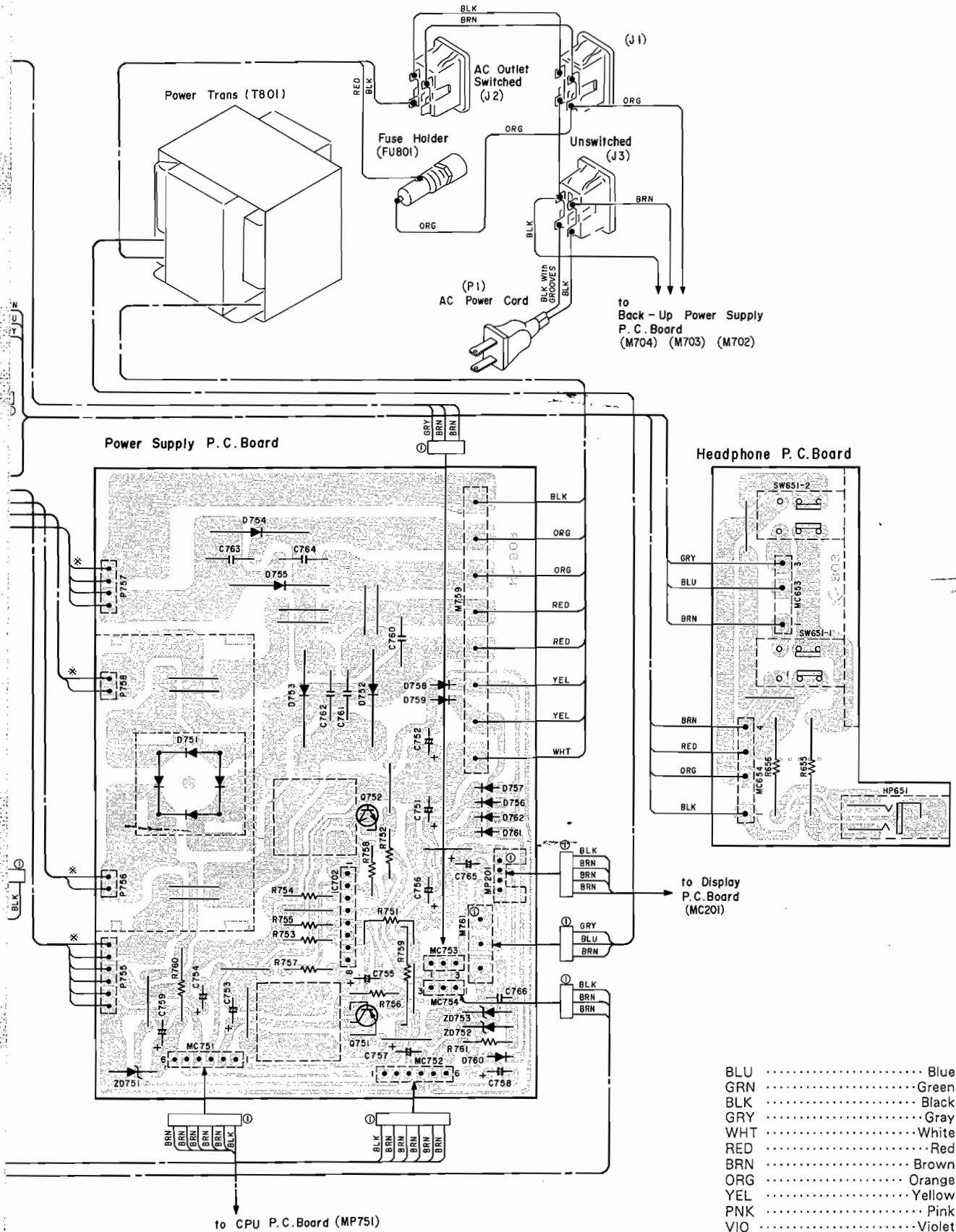
MC801

PTC801

PTC802

VIO
BLU
ORG
BRN

BLK
BRN
ORG
RED
GRY

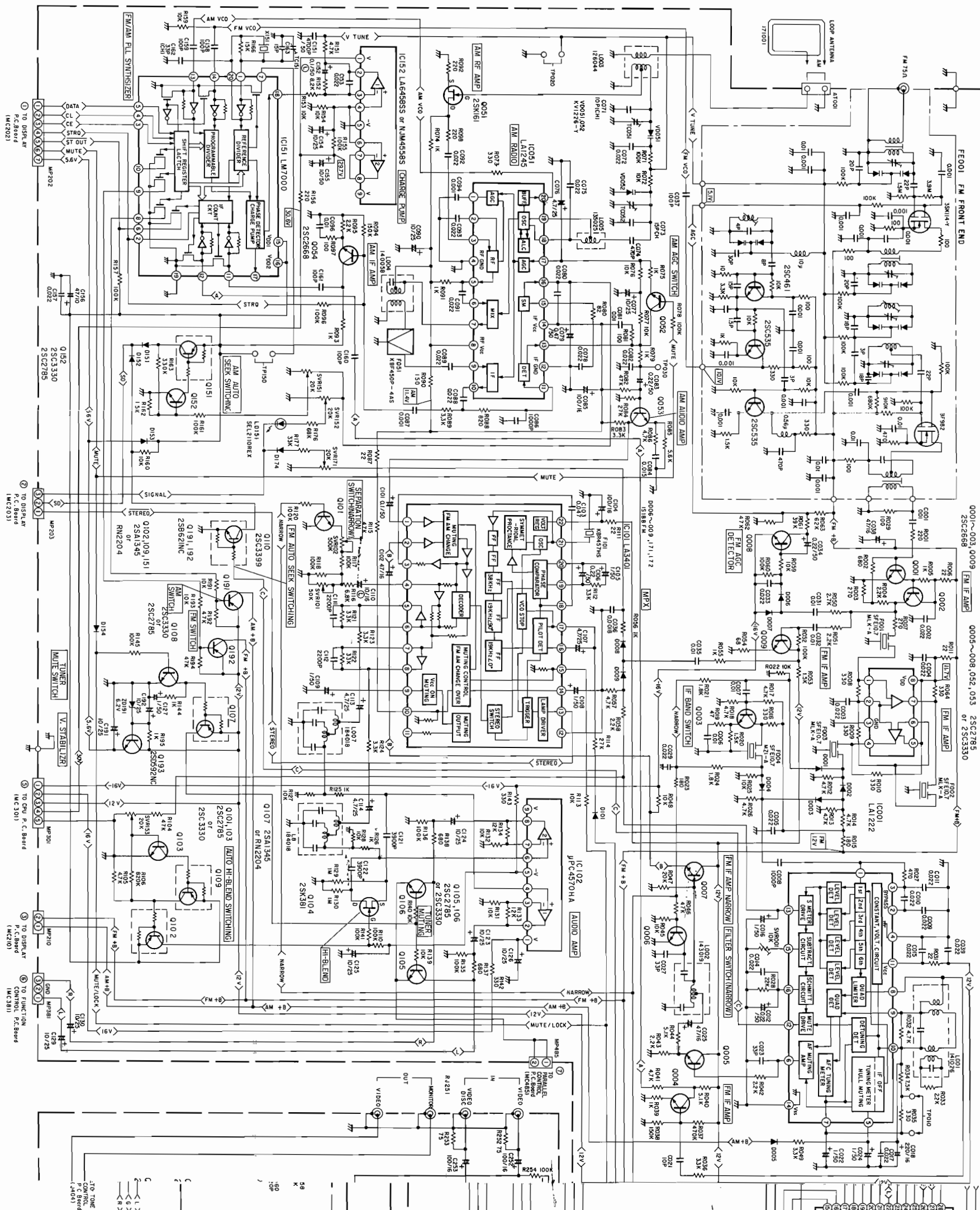


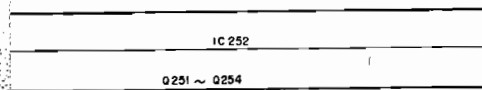
- BLU Blue
- GRN Green
- BLK Black
- GRY Gray
- WHT White
- RED Red
- BRN Brown
- ORG Orange
- YEL Yellow
- PNK Pink
- VIO Violet
- GRN/WHT Green/White
- GRY/WHT Gray/White
- GRY/YEL Gray/Yellow
- GRN/YEL Green/Yellow
- SHLD Shield

Schematic Diagram (1/4)

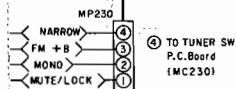
IC	Transistor(Q)	IC001	IC002
IC182, K151	Q001	Q004	Q008
	Q005	Q006	Q009
	Q010, Q110	Q001, Q002	Q008, Q009
	Q191, Q192	Q191~Q193, Q107, Q108	Q003
	Q101, Q110	Q005~Q008, Q52, Q53	Q003
	Q103, Q104, Q106	Q003, Q006	Q004~Q007
	Q103, Q109, Q102		Q004~Q007

TUNER P.C. BOARD

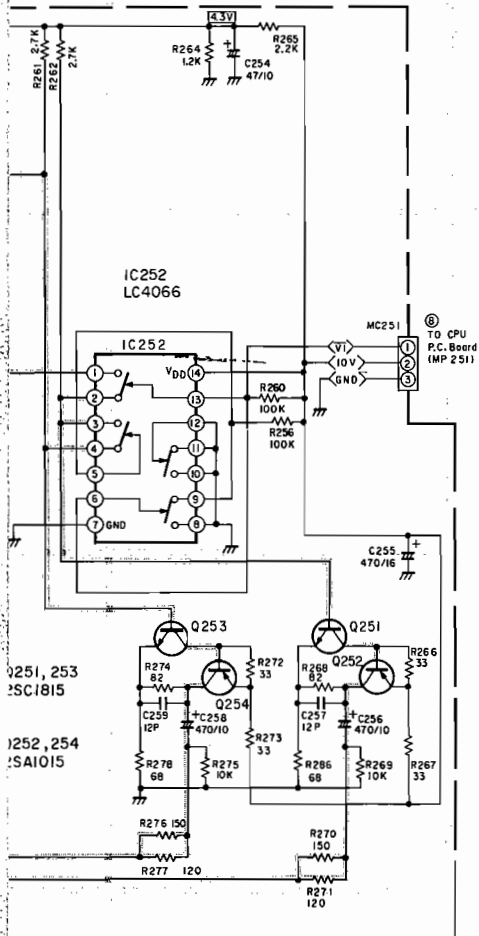




Q004
25C266B



VIDEO P.C. Board



IC 001

1	1.4V
2	1.4V
3	0V
4	11V
5	12V
6	1.4V
7	11V
8	12V

IC 252

1	3.4V	8	0V
2	3.4V	9	10.3V
3	3.4V	10	0V
4	3.4V	11	0V
5	10.3V	12	0V
6	0V	13	0V
7	0V	14	10.4V

IC 002

1	2.8V	9	6.8V
2	2.8V	10	6.8V
3	2.8V	11	11.6V
4	0V	12	6.8V
5	0.8V	13	1V
6	6.4V	14	0V
7	5.5V	15	0.5V
8	6.2V	16	0.5V

IC 051

1	5.6V	11	0.7V
2	2.1V	12	0V
3	2.7V	13	2.1V
4	0V	14	11.5V
5	9V	15	1.5V
6	2V	16	0V
7	9.6V	17	2V
8	9.8V	18	5.6V
9	2.7V	19	5.6V
10	7.5V	20	3V

	E	C	B
Q001	0V	7.8V	0.7V
Q002	7V	11.8V	7.8V
Q003	4.7V	9.9V	5.4V
Q004	1.1V	6.4V	1.8V
Q005	5.5V	12V	6.1V
Q006	0V	0V	0V
Q007	-0.7V	12V	0V
Q008	-12V	5.1V	-12V
Q009	0.3V	4.8V	1V
Q052	2V	2V	0V
Q053	3.5V	8.7V	4.1V
Q054	4.9V	0V	0V
Q101	0V	0V	0.8V/0V
Q102	4.3V	-14V	4.9V
Q103	0V	0V	0.8V
Q105	0V	0V	0V
Q106	0V	0V	0V
Q107	12V	0V	12V
Q108	0V	12V	0V
Q109	4.9V	4.3V	0V
Q110	0V	4.8V	0V
Q151	4.9V	4.9V	0V
Q152	0V	0V	0.6V
Q191	12V	0V/12V	AM 11.4V
Q192	12V	12V/0V	PM 12V
Q193	5.6V	12V	PM 12V
			FM 11.4V
			8.2V

IC 101

1	3.2V	12	0V
2	8.2V	13	4.9V
3	3.2V	14	4.9V
4	3.2V	15	0V
5	3.2V	16	2.8V
6	3.2V	17	2.8V
7	3.2V	18	2.8V
8	3.2V	19	2.8V
9	3.8V	20	2.8V
10	0V	21	3.4V
11	3.9V	22	11.6V

	D	G	S
Q051	7.5V	0V	0.4V
Q104	0V	-14V	0V

	P	C	B
Q251	2.8V	8.2V	3.4V
Q252	8.9V	5.5V	8.2V
Q253	2.8V	8.2V	3.4V
Q254	8.9V	5.5V	8.2V

IC 102

1	14.2V
2	0V
3	0V
4	0V
5	-14.2V
6	0V
7	0V
8	0V

IC 151

1	1.6V	11	0.1V
2	0V	12	0.1V
3	0V	13	0.1V
4	0V	14	2.8V
5	0V	15	4.9V
6	4.8V	16	4.9V
7	0V	17	-
8	12V	18	2.8V
9	0.2V	19	0V
10	0V	20	1.6V

IC 152

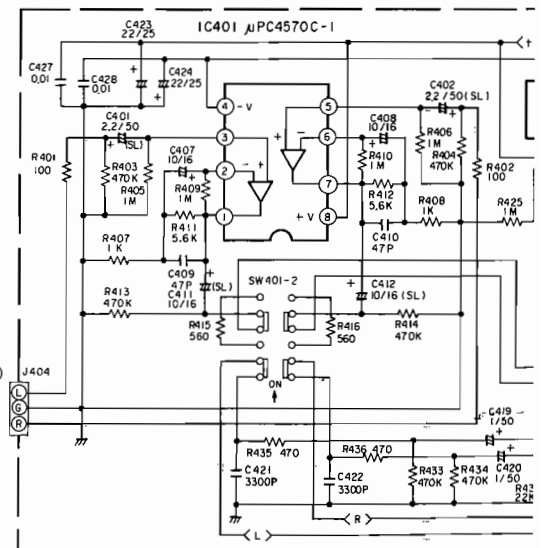
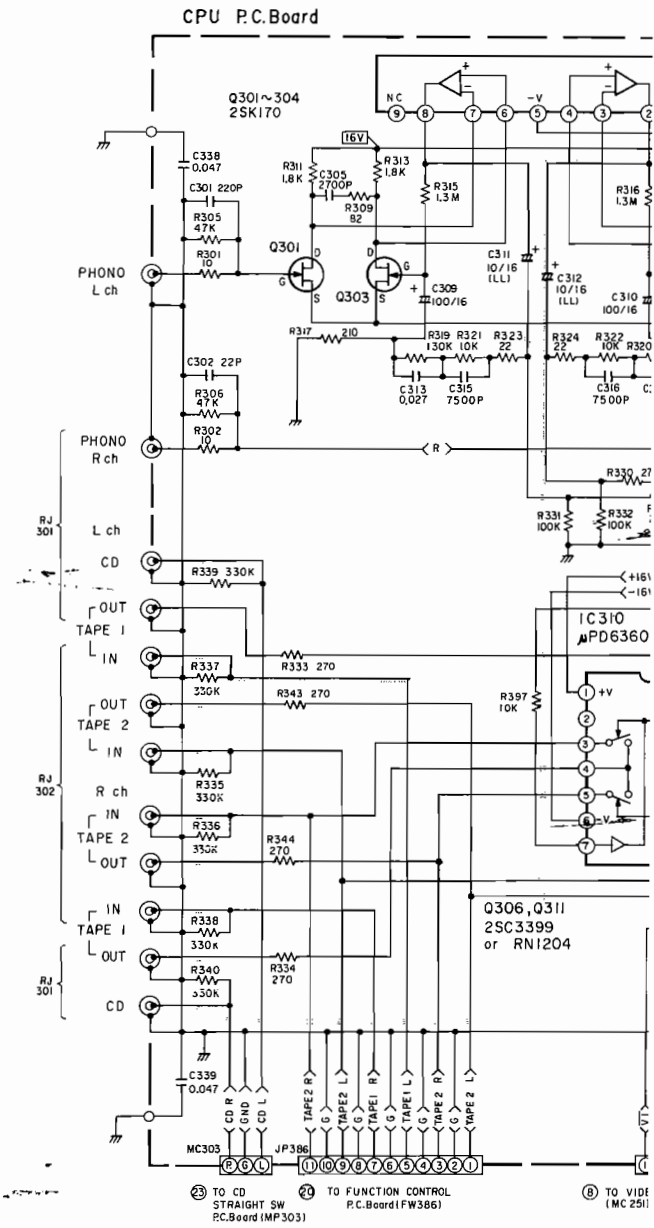
1	28.7V
2	FM 2.5V ~ 28V
3	AM 1.9V ~ 28V
4	2.8V
5	0V
6	2.8V
7	2.8V
8	2.8V

NOTES

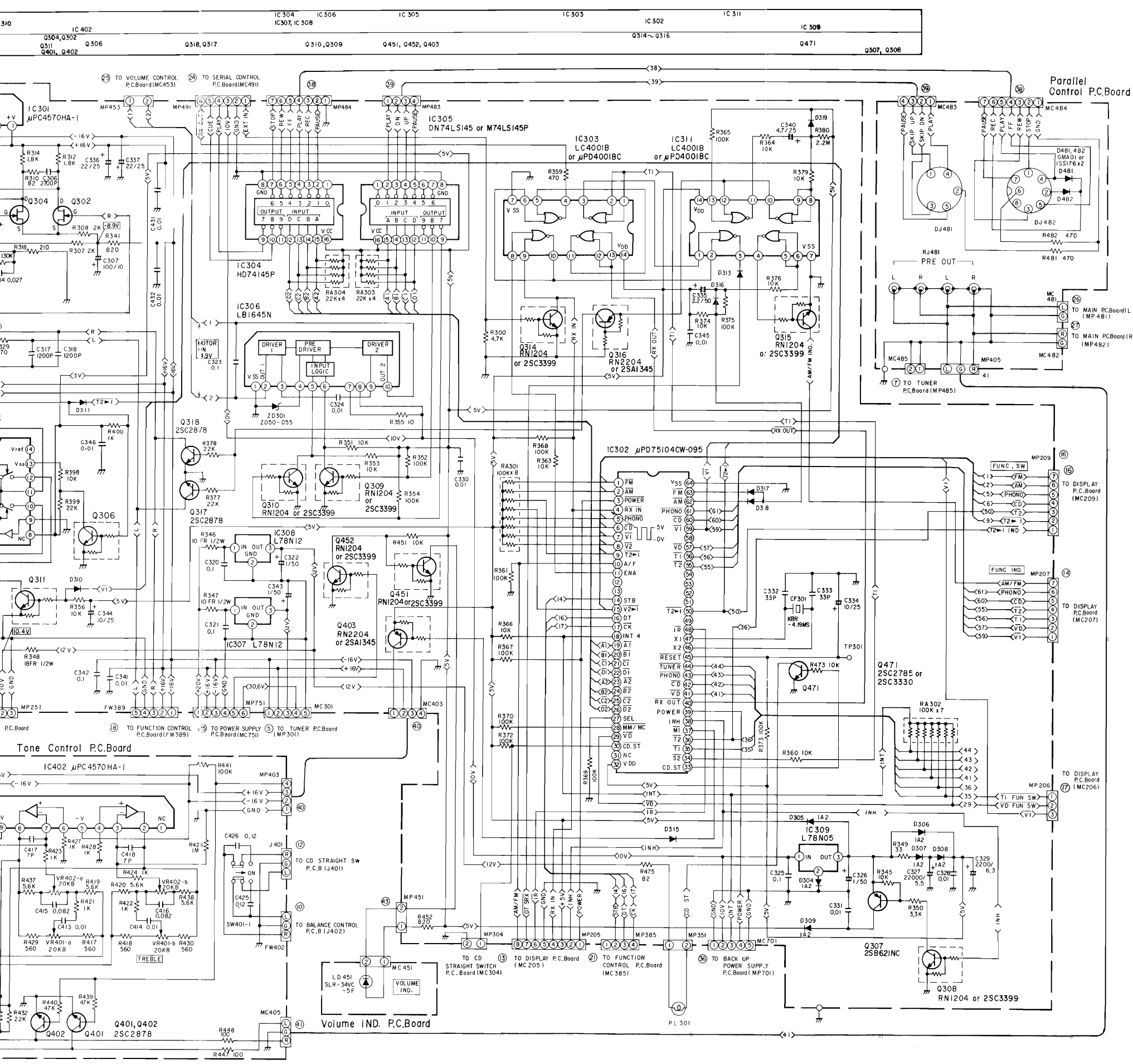
1. UNLESS OTHERWISE NOTICED ALL DIODES ARE GMA01 OR ISS176.
2. All resistors are 1/4 watt or 1/8 watt ±5% unless otherwise. Resistor values are in ohms. (K=1000 ohms, M=1000K ohms)
3. All capacitor values are in microfarads. (P=picofarads)
4. Each DC voltage shows the nominal values in volts no input signal.
5. When replacing varactor diodes VD51 and VD52 always use a diode with the same rank.

Schematic Diagram (2/4)

IC	IC 401	IC 301
Transistor(Q)	Q301, Q303	



R - 115



IC 301

1	18V
2	0V
3	10V
4	10V
5	-16V
6	10V
7	10V
8	0V

IC 302

1	5V	17	5V	33	0V/5V	49	5V/0V
2	5V	18	5V	34	5V	50	5V/0V
3	5V	19	5V	35	5V	51	
4	5V	20	5V	36	5V	52	
5	5V	21	5V	37	5V	53	
6	5V	22	5V	38	5V	54	
7	5V	23	5V	39	5V	55	5V/0V
8	5V	24	5V	40	5V	56	5V/0V
9	5V	25	5V	41	5V	57	5V/0V
10	0V	26	5V	42	5V	58	
11	0V	27	0V	43	5V	59	5V/0V
12		28	5V	44	5V	60	5V/0V
13		29	5V	45	5V	61	5V/0V
14	0V	30	5V	46	2.8V	62	1V/0V
15	5V	31	0V	47	2.5V	63	5V/0V
16	0V	32	5V	48	5V	64	0V

IC 303

1	5V	8	0V
2	5V	9	5V
3	5V	10	0V
4	5V	11	0V
5	0V	12	5V
6	0V	13	5V
7	0V	14	5V

IC 304

1	9	0V	
2	0V	10	0V
3	0V	11	0V
4	0V	12	5V
5	0V	13	5V
6	0V	14	5V
7	0V	15	5V
8	0V	16	5V

IC 305

1	9	0V	
2	0V	10	0V
3	0V	11	0V
4	0V	12	5V
5	0V	13	5V
6	0V	14	5V
7	0V	15	5V
8	0V	16	5V

IC 306

1	0V
2	0.5V
3	0.7V
4	0.5V
5	0V
6	0V
7	10V
8	10V
9	0.7V
10	0.5V

IC 307

1	18.5V
2	0V
3	12V

IC 308

1	18.5V
2	0V
3	12V

IC 309

1	18.5V
2	0V
3	12V

IC 310

1	16V	8	5V
2	0V	9	0V
3	0V	10	0V
4	0V	11	0V
5	0V	12	0V
6	-16V	13	4.8V/0V
7	4.8V/0.8V	14	4.8V/0V

IC 311

1	5V	8	5V
2	0V	9	5V
3	5V	10	0V
4	5V/0V	11	0V
5	0.5V	12	0V
6	0.5V	13	4.8V
7	0V	14	5V

IC 401

1	0V
2	0V
3	0V
4	-16V
5	0V
6	0V
7	0V
8	18V

IC 402

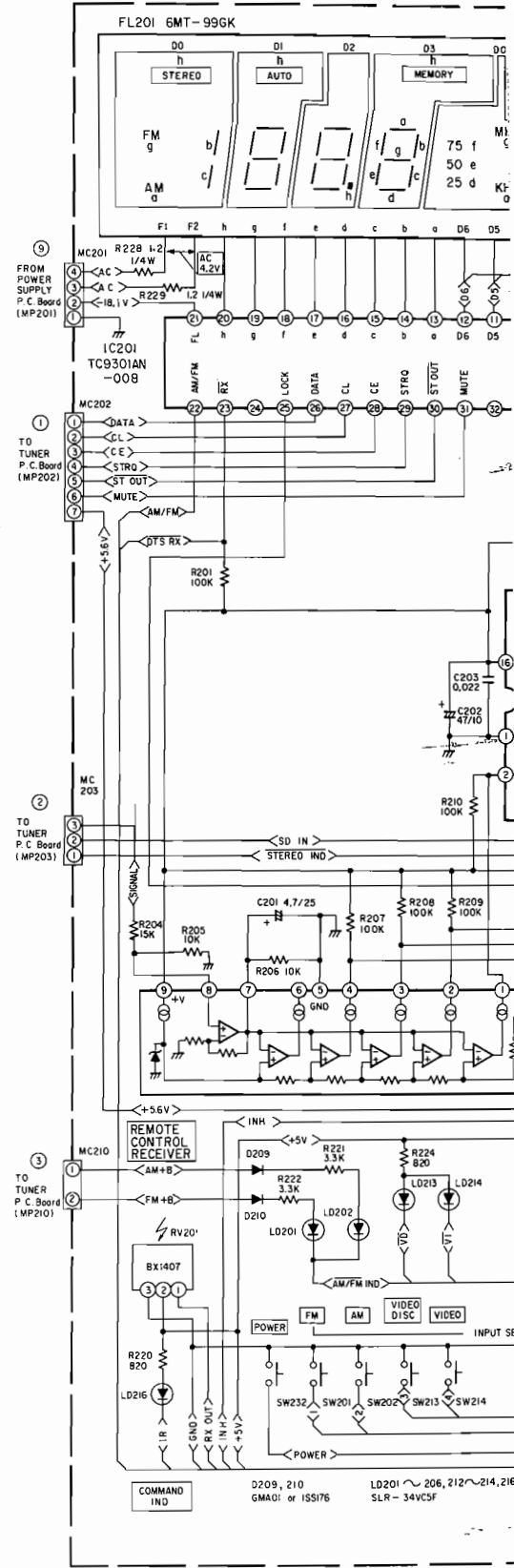
1	0V
2	0V
3	0V
4	0V
5	-16V
6	0V
7	0V
8	0V
9	18V

NOTES
 1. UNLESS OTHERWISE NOTICED ALL DIODES ARE CMA01 OR ISS176.
 2. All resistors are 1/4 watt or 1/8 watt ±5% unless otherwise.
 Resistor values are in ohms. (K=1000 ohms, M=1000K ohms)
 3. All capacitor values are in microfarads. (P=picofarads)
 4. Each DC voltage shows the nominal values in volts no input signal.

Schematic Diagram (3/4)

IC	IC204
Transistor(Q)	

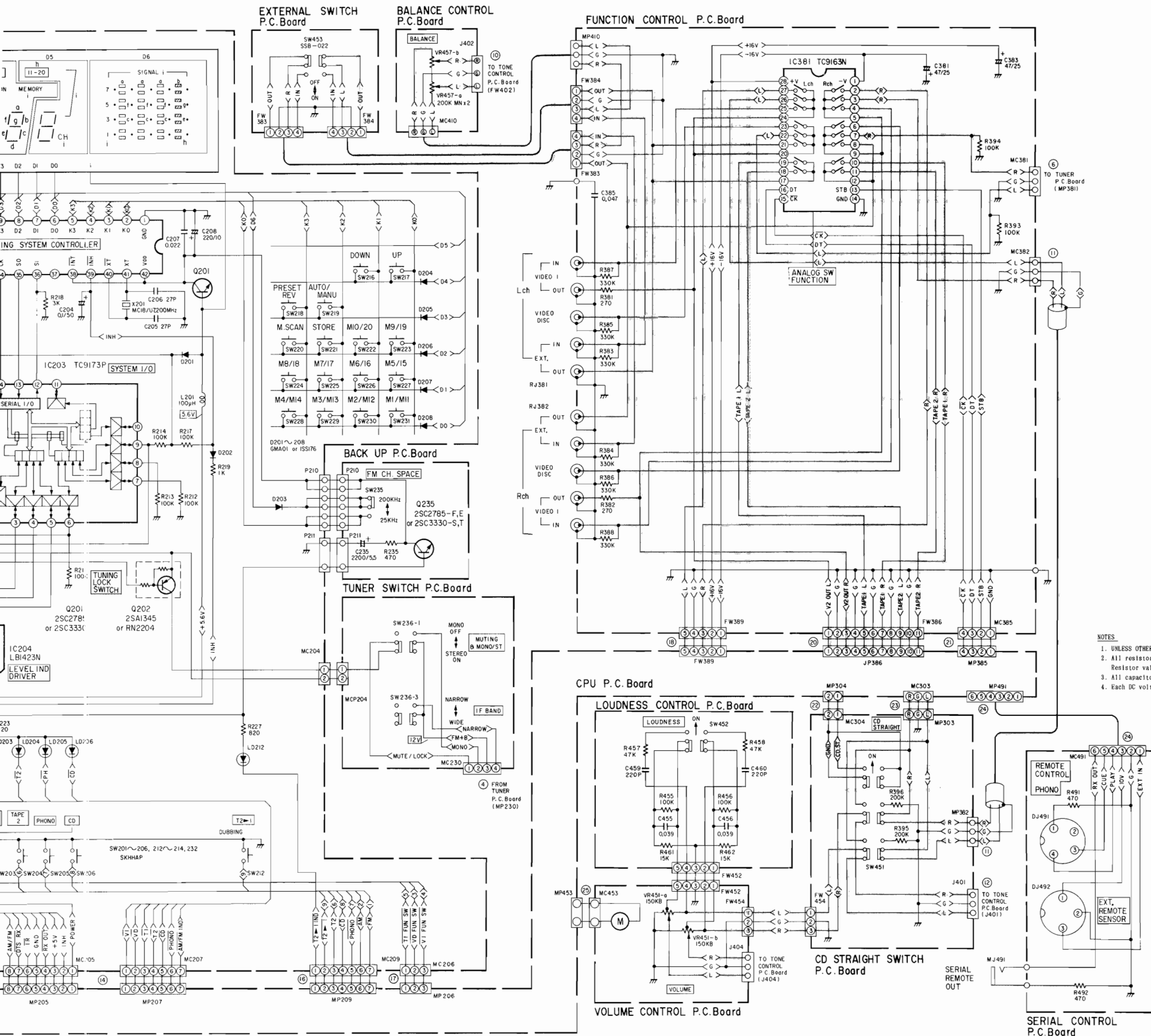
DISPLAY P.C. Board



Notes : (on SW235 FM CH. Space Switch)

- (1) Set SW235 to the 25kHz position to change the frequency increment to 25kHz from 200kHz in the Manual tuning.
- (2) Set SW235 to the 200kHz position to change the increment to 200kHz from 25kHz. In this case, ensure the followings.
 1. a. When the switch is set to the 25kHz position, call every preset stations by pressing the preset station keys.
 - b. If the lowest frequency of receiving frequency is 25kHz, 50kHz, or 75kHz, change the lowest frequency to other frequency other than above by operating the tuning key and store the frequency onto the preset station which was called.
 - c. After performing the same procedures for all other preset stations, set SW235 to the 200kHz position.
2. If the lowest frequency displayed is 25kHz, 50kHz or 75kHz, change to the auto tuning mode and press the tuning. Then the frequency increment step changes to 200kHz.

CPU P.C. Board



IC 201

1	0V	15	29	0V	
2		16	30	4.7V	
3		17	31	0V	
4		18	32		
5		19	33	0V	
6		20	34	0V	
7		21	-18.1V	35	0V
8		22	4.7V/0V	36	0V
9		23	4.7V	37	
10		24		38	4.7V
11		25	4.7V	39	4.7V
12		26	0V	40	1.7V
13		27	0V	41	2.1V
14		28	0V	42	4.7V

IC 203

1	0V	9	4.8V/0V
2	4.8V/0V	10	
3	4.8V/0V	11	
4	4.8V/0V	12	0V
5	4.8V/0V	13	0V
6	4.8V/0V	14	0V
7	4.8V/0V	15	0V
8	0V	16	4.8V

IC 204

1	4.8V/0V
2	4.8V/0V
3	4.8V/0V
4	4.8V/0V
5	0V
6	0V
7	0V
8	0V
9	4.8V

IC 381

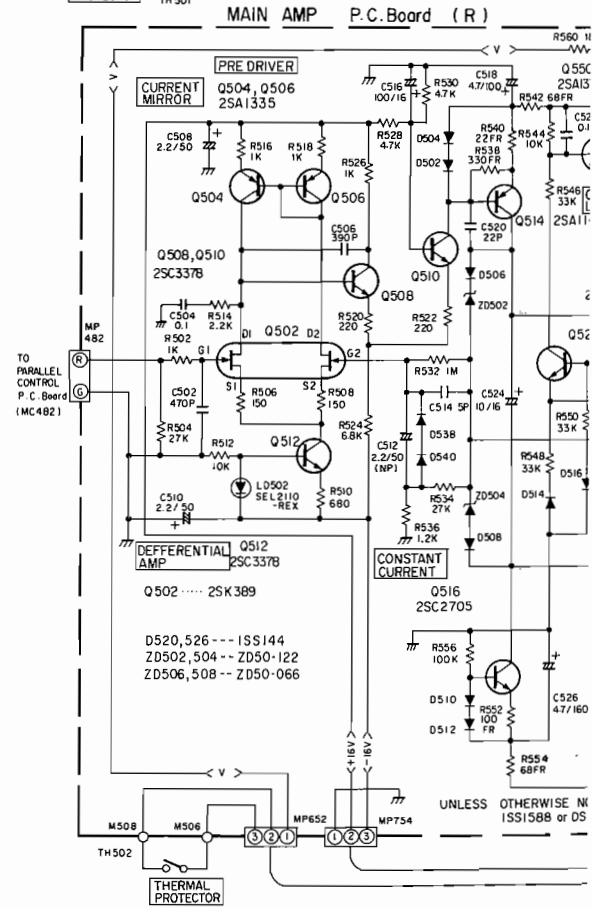
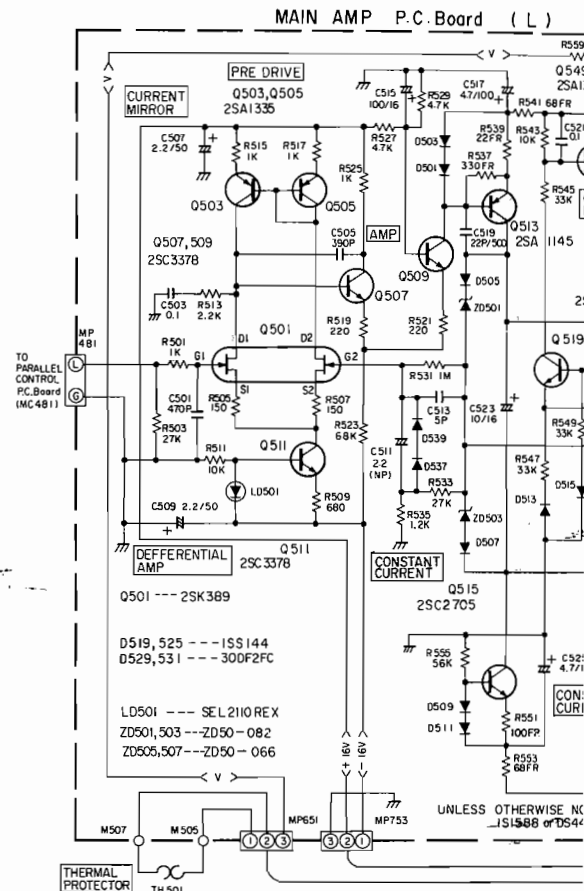
1	-16V	15	5V
2	0V	16	0V
3	0V	17	0V
4	0V	18	0V
5	0V	19	0V
6	0V	20	0V
7	0V	21	0V
8	0V	22	0V
9	0V	23	0V
10	0V	24	0V
11	0V	25	0V
12	0V	26	0V
13	0V	27	0V
14	0V	28	16V

Q201	4.6V	4.7V	5.5V
Q202	4.8V	0V	4.7V
Q235	4.6V	4.7V	5V

- NOTES
1. UNLESS OTHERWISE NOTICED ALL DIODES ARE GMA01 OR 1SS176.
 2. All resistors are 1/4 watt or 1/8 watt ±5% unless otherwise. Resistor values are in ohms. (K=1000 ohms, M=1000K ohms)
 3. All capacitor values are in microfarads. (P=picofarads)
 4. Each DC voltage shows the nominal values in volts no input signal.

Schematic Diagram (4/4)

IC	0503	0501	0505,0511	0507	0509	0513	0519
Transistor(Q)	0504	0502	0502	0508	0510	0515,0514	0516



R - 115

Electrical Parts List

Resistor : Carbon resistors under 1/4 watts are not mentioned in the parts list, please confirm them by schematic diagram.
 uF = microfarads, pF = picofarads

Abbreviations				Symbol No.	Part No.	Description		
FR. = Frame Proof	CE. = Cement Case			D511	48E04212S01	1S1588		
RES. = Resistor	CAP. = Capacitor			D513	48E04212S01	1S1588		
C.F. = Carbon Film	ELY. = Electrolytic			D515	48E04212S01	1S1588		
M.F. = Metal Film	CER. = Ceramic			D517	48E04212S01	1S1588		
M.O. = Metal Oxide Film	MYL. = Mylar			D519	48E04211S01	1SS144		
M.P. = Metal Plate	TAN. = Tantalum			D525	48E04211S01	1SS144		
TR. = Transistor	POLY. = Polystyrol			D527	48E04212S01	1S1588		
TRANS. = Transformer	PP. = Polypropylene			D529	48E04214S01	30DF2FC		
CP. = Chip	PLT. = Polyethylene			D531	48E04214S01	30DF2FC		
				D533	48E04209S01	1N4002		
Symbol No.	Part No.	Description						
Main Amp P. C. Board (L)								
Transistors								
Q501	48E04195S01	FET, 2SK389						
Q503	48E04174S01	2SA1335						
Q505	48E04174S01	2SA1335						
Q507	48E04187S01	2SC3378						
Q509	48E04187S01	2SC3378						
Q511	48E04187S01	2SC3378						
Q513	48E04170S01	2SA1145						
Q515	48E04182S01	2SC2705						
Q519	48E04182S01	2SC2705						
Q525	48E04174S01	2SA1335						
Q527	48E04191S01	2SD600K						
Q529	48E04185S01	2SC3280						
Q531	48E04173S01	2SA1306						
Q533	48E04172S01	2SA1301						
Q535	48E04172S01	2SA1301						
Q537	48E04185S01	2SC3280						
Q539	48E04185S01	2SC3280						
Q541	48E04187S01	2SC3378						
Q543	48E04178S01	2SB631K						
Q545	48E04172S01	2SA1301						
Q547	48E04186S01	2SC3298						
Q549	48E04174S01	2SA1335						
Diodes/LED								
D501	48E04212S01	1S1588						
D503	48E04212S01	1S1588						
D505	48E04212S01	1S1588						
D507	48E04212S01	1S1588						
D509	48E04212S01	1S1588						
Thermal Switch/Coil								
TH501	80E04315S01	Relay, Thermal U12-10075-200A						
L501	24E04241S01	Coil, AIR-CORE, 0.1 μ H						
Capacitors								
C501	21E04364S02	CER., 470pF						
C503	08E04348S02	MYL., 0.1 μ F						
C505	21E04364S01	CER., 390pF						
C507	23E04338S06	ELY., 2.2 μ F/50V						
C509	23E04338S06	ELY., 2.2 μ F/50V						
C511	23E04331S01	ELY.,(NP) 2.2 μ F/50V						
C513	21E04354S01	CER., 5pF						
C515	23E04335S02	ELY., 100 μ F/16V						
C517	23E04339S01	ELY., 4.7 μ F/100V						
C519	21E04368S01	CER., 22pF						
C521	08E04346S01	Metal, 0.1 μ F						
C523	23E04335S01	ELY., 10 μ F/16V						
C525	23E04339S01	ELY., 4.7 μ F/100V						
C527	21E04360S01	CER., 150pF						
C529	21E04358S01	CER., 100pF						

Symbol No.	Part No.	Description			Symbol No.	Part No.	Description		
C531	21E04366S01	CER., 330pF			Q512	48E04187S01	2SC3378		
C533	21E04360S01	CER., 150pF			Q514	48E04170S01	2SA1145		
C535	21E04358S01	CER., 100pF			Q516	48E04182S01	2SC2705		
C537	21E04366S01	CER., 330pF			Q520	48E04182S01	2SC2705		
C539	08E04349S01	MYL., 0.1 μ F			Q526	48E04174S01	2SA1335		
C541	08E04349S01	MYL., 0.1 μ F			Q528	48E04191S01	2SD600K		
C543	08E04349S02	MYL., 0.047 μ F			Q530	48E04185S01	2SC3280		
Resistors					Q532	48E04173S01	2SA1306		
R537	06E04321S04	FR., 330 ohm 1/4W			Q534	48E04172S01	2SA1301		
R539	06E04321S03	FR., 22 ohm 1/4W			Q536	48E04172S01	2SA1301		
R541	06E04321S06	FR., 68 ohm 1/4W			Q538	48E04185S01	2SC3280		
R551	06E04321S01	FR., 100 ohm 1/4W			Q540	48E04185S01	2SC3280		
R553	06E04321S06	FR., 68 ohm 1/4W			Q542	48E04187S01	2SC3378		
R563	06E04321S02	FR., 1k ohm 1/4W			Q544	48E04178S01	2SB631K		
R565	06E04321S02	FR., 1k ohm 1/4W			Q546	48E04172S01	2SA1301		
R567	06E04319S01	M.O., 12k ohm 1W			Q548	48E04186S01	2SC3298		
R569	06E04319S02	M.O., 6.8k ohm 1W			Q550	48E04174S01	2SA1335		
R573	06E04321S02	FR., 1k ohm 1/4W			Diodes/LED				
R575	06E04321S05	FR., 470 ohm 1/4W			D502	48E04212S01	1S1588		
R577	06E04321S01	FR., 100 ohm 1/4W			D504	48E04212S01	1S1588		
R579	06E04322S05	FR., 4.7 ohm 1/2W			D506	48E04212S01	1S1588		
R581	06E04322S05	FR., 4.7 ohm 1/2W			D508	48E04212S01	1S1588		
R589	06E04319S01	M.O., 12k ohm 1W			D510	48E04212S01	1S1588		
R591	06E04319S02	M.O., 6.8k ohm 1W			D512	48E04212S01	1S1588		
R595	06E04321S02	FR., 1k ohm 1/4W			D514	48E04212S01	1S1588		
R597	06E04321S05	FR., 470 ohm 1/4W			D516	48E04212S01	1S1588		
R599	06E04321S01	FR., 100 ohm 1/4W			D518	48E04212S01	1S1588		
R601	06E04322S05	FR., 4.7 ohm 1/2W			D520	48E04211S01	1SS144		
R603	06E04322S05	FR., 4.7 ohm 1/2W			D526	48E04211S01	1SS144		
R607	06E04323S01	CE., 0.22 ohm 5W			D528	48E04212S01	1S1588		
R609	06E04323S01	CE., 0.22 ohm 5W			D530	48E04214S01	30DF2FC		
R611	06E04320S01	M.O., 4.7 ohm 2W			D532	48E04214S01	30DF2FC		
R613	06E04320S01	M.O., 4.7 ohm 2W			D534	48E04209S01	1N4002		
R615	06E04322S04	FR., 330 ohm 1/2W			D536	48E04209S01	1N4002		
SVR501	18E04324S01	Variable, 1k ohm			D538	48E04212S02	1S1588		
Main Amp P. C. Board (R)					D540	48E04212S02	1S1588		
Transistors					LD502	48E04215S01	LED, SEL2110REX		
Q502	48E04195S01	FET, 2SK389			ZD502	48E04204S01	Zener, ZD50-082		
Q504	48E04174S01	2SA1335			ZD504	48E04408S01	Zener, ZD50-082		
Q506	48E04174S01	2SA1335			ZD506	48E04203S01	Zener, 1/2W, 6.6V, ZD50-066		
Q508	48E04187S01	2SC3378			ZD508	48E04203S01	Zener, 1/2W, 6.6V, ZD50-066		
Q510	48E04187S01	2SC3378							

Symbol No.	Part No.	Description			Symbol No.	Part No.	Description		
Thermal Switch/Coil									
TH502	80E04315S01	Relay, Thermal U12-10005-200A			R592	06E04319S02	M.O., 6.8k ohm 1W		
L502	24E04241S01	Coil, AIR-CORE, 0.1 μ H			R596	06E04321S02	FR., 1k ohm 1/4W		
Capacitors									
C502	21E04364S02	CER., 470pF			R598	06E04321S05	FR., 470 ohm 1/4W		
C504	08E04348S02	MYL., 0.1 μ F			R600	06E04321S01	FR., 100 ohm 1/4W		
C506	21E04364S01	CER., 390pF			R602	06E04322S05	FR., 4.7 ohm 1/2W		
C508	23E04338S06	ELY., 2.2 μ F/50V			R604	06E04322S05	FR., 4.7 ohm 1/2W		
C510	23E04338S06	ELY., 2.2 μ F/50V			R608	06E04323S01	CE., 0.22 ohm 5W		
C512	23E04331S01	ELY., (NP) 2.2 μ F/50V			R610	06E04323S01	CE., 0.22 ohm 5W		
C514	21E04354S01	CER., 5pF			R612	06E04320S01	M.O., 4.7 ohm 2W		
C516	23E04335S02	ELY., 100 μ F/16V			R614	06E04320S01	M.O., 4.7 ohm 2W		
C518	23E04339S01	ELY., 4.7 μ F/100V			R616	06E04322S04	FR., 330 ohm 1/2W		
C520	21E04368S01	CER., 22pF			SVR502	18E04324S01	Variable, 1k ohm		
C522	08E04346S01	M.F., 0.1 μ F			Idling P. C. Board (L)				
C524	23E04335S01	ELY., 10 μ F/16V			Transistor				
C526	23E04339S01	ELY., 4.7 μ F/100V			Q523	48E04180S01	2SC1953		
C528	21E04360S01	CER., 150pF			Idling P. C. Board (R)				
C530	21E04358S01	CER., 100pF			Transistor				
C532	21E04366S01	CER., 330pF			Q524	48E04180S01	2SC1953		
C534	21E04360S01	CER., 150pF			Power Supply P. C. Board				
C536	21E04358S01	CER., 100pF			IC/Transistors				
C538	21E04366S01	CER., 330pF			IC702	51E04232S01	M5230L		
C540	08E04349S01	MYL., 0.1 μ F			Q751	48E04176S01	2SB1274		
C542	08E04349S01	MYL., 0.1 μ F			Q752	48E04189S01	2SD1913		
C544	08E04349S02	MYL., 0.047 μ F			Diodes				
Resistors					D751	48E04191S01	BR82		
R538	06E04321S04	FR., 330 ohm 1/4W			D752	48E04210S01	1N5402-F		
R540	06E04321S03	FR., 22 ohm 1/4W			D753	48E04210S01	1N5402-F		
R542	06E04321S06	FR., 68 ohm 1/4W			D754	48E04210S01	1N5402-F		
R552	06E04321S01	FR., 100 ohm 1/4W			D755	48E04210S01	1N5402-F		
R554	06E04321S06	FR., 68 ohm 1/4W			D756	48E04208S01	1A2		
R564	06E04321S02	FR., 1k ohm 1/4W			D757	48E04208S01	1A2		
R566	06E04321S02	FR., 1k ohm 1/4W			D758	48E04208S01	1A2		
R568	06E04319S01	M.O., 12k ohm 1W			D759	48E04208S01	1A2		
R570	06E04319S02	M.O., 6.8k ohm 1W			D760	48E04208S01	1A2		
R574	06E04321S02	FR., 1k ohm 1/4W			D761	48E04208S01	1A2		
R576	06E04321S05	FR., 470 ohm 1/4W			D762	48E04208S01	1A2		
R578	06E04321S01	FR., 100 ohm 1/4W			ZD751	48E04207S01	Zener, 1/2W, 30.5V, ZD50-305		
R580	06E04322S05	FR., 4.7 ohm 1/2W			ZD752	48E04206S01	Zener, 1/2W, 18.0V, ZD50-180		
R582	06E04322S05	FR., 4.7 ohm 1/2W			ZD753	48E04201S01	Zener, 1/2W, 6.0V, ZD50-060		
R590	06E04319S01	M.O., 12k ohm 1W							

Symbol No.	Part No.	Description			
Capacitors					
C751	23E04337S01	ELY., 1000 μ F/35V			
C752	23E04337S01	ELY., 1000 μ F/35V			
C753	23E04336S01	ELY., 10 μ F/25V			
C754	23E04336S01	ELY., 10 μ F/25V			
C755	23E04338S04	ELY., 1 μ F/50V			
C756	23E04337S01	ELY., 1000 μ F/35V			
C757	23E04336S06	ELY., 47 μ F/25V			
C758	23E04338S04	ELY., 1 μ F/50V			
C759	23E04337S02	ELY., 47 μ F/35V			
C760	21E04367S01	CER., 0.01 μ F			
C761	21E04367S01	CER., 0.01 μ F			
C762	21E04367S01	CER., 0.01 μ F			
C763	21E04367S01	CER., 0.01 μ F			
C764	21E04367S01	CER., 0.01 μ F			
C765	23E04336S06	ELY., 47 μ F/25V			
C766	21E04362S01	CER., 0.01 μ F			
Resistors					
R755	06E04318S02	M.F., 3.3k ohm 1/4W			
R756	06E04318S01	M.F., 27k ohm 1/4W			
R759	06E04298S01	M.O., 8.2 ohm 2W			
R760	06E04322S03	M.O., 1.8k ohm 1/2W			
Speaker Terminal P. C. Board					
IC					
IC651	51E04233S01	TA7317P			
Diode					
D651	48E04209S01	1N4002			
Capacitors					
C651	23E04335S04	ELY., 47 μ F/16V			
C652	23E04335S04	ELY., 47 μ F/16V			
C653	21E04356S01	CER., 1000pF			
C654	23E04338S03	ELY., 0.47 μ F/50V			
C655	23E04335S04	ELY., 47 μ F/16V			
Resistors					
R670	06E04320S03	M.O., 560 ohm 2W			
Relay/Socket					
RY651	80E04313S01	Relay, AJR39040			
SP651	09E04297S01	Socket 8P (S.P.) YKD31-0363			
Back Up Power Supply P. C. Board					
IC/Transistors					
IC701	51E04230S01	L78N10			
Q701	48E04183S01	2SC2785			
Q702	48E04171S01	2SA1175			
Diodes					
D701	48E04209S01	1N4002			
D702	48E04209S01	1N4002			
D703	48E04209S01	1N4002			
D704	48E04209S01	1N4002			
D705	48E04209S01	1N4002			
D706	48E04209S01	1N4002			
D707	48E04209S01	1N4002			
ZD701	48E04199S01	Zener, 1/2W, 4.9V, ZD50-049			
ZD702	48E04205S01	Zener, 1/2W, 9.4V, ZD50-094			
Capacitors/Resistor					
C701	08E04371S01	M.F., 0.01 μ F			
C702	23E04338S03	ELY., 0.47 μ F/50V			
C703	23E04336S04	ELY., 2200 μ F/25V			
C704	23E04338S04	ELY., 1 μ F/50V			
C705	23E04336S02	ELY., 100 μ F/25V			
R701	06E04316S01	C.F., 3.3M ohm 1/2W			
Relay/Trans					
RY701	80E04312S01	AJR32117			
T701	25E04299S01	Power Trans NPT-2394			

Symbol No.	Part No.	Description		
Headphone P. C. Board				
Switch				
SW651	40E04277S01	Push Switch, SW-1201210		
Jack/Resistors				
HP651	09E04372S01	H.P, YKB24-5010		
R655	06E04320S02	M.O., 470 ohm 2W		
R656	06E04320S02	M.O., 470 ohm 2W		
CPU P. C. Board				
IC's				
IC301	51E04238S01	μ PC4570HA-1		
IC302	51E04240S01	μ PD75104CW-095		
IC303	51E04226S01	LC4001B		
IC304	51E04218S01	HD74145P		
IC305	51E04217S01	DN74LS145		
IC306	51E04225S01	LB1645N		
IC307	51E04231S01	L78N12		
IC308	51E04231S01	L78N12		
IC309	51E04229S01	L78N05		
IC310	51E04239S01	μ PD6360C		
IC311	51E04226S01	LC4001B		
Transistors				
Q301	48E04193S01	FET, 2SK170		
Q302	48E04193S01	FET, 2SK170		
Q303	48E04193S01	FET, 2SK170		
Q304	48E04193S01	FET, 2SK170		
Q306	48E04188S01	2SC3399		
Q307	48E04177S01	2SB621NC		
Q308	48E04188S01	2SC3399		
Q309	48E04188S01	2SC3399		
Q310	48E04188S01	2SC3399		
Q311	48E04188S01	2SC3399		
Q314	48E04188S01	2SC3399		
Q315	48E04188S01	2SC3399		
Q316	48E04175S01	2SA1345		
Q317	48E04184S01	2SC2878		
Q318	48E04184S01	2SC2878		
Q403	48E04175S01	2SA1345		
Q451	48E04188S01	2SC3399		
Q452	48E04188S01	2SC3399		
Q471	48E04183S01	2SC2785		

Symbol No.	Part No.	Description		
Diodes				
D304	48E04208S01	1A2		
D305	48E04208S01	1A2		
D306	48E04208S01	1A2		
D307	48E04208S01	1A2		
D308	48E04208S01	1A2		
D309	48E04208S01	1A2		
D310	48E04197S01	GMA01		
D311	48E04197S01	GMA01		
D313	48E04197S01	GMA01		
D315	48E04197S01	GMA01		
D316	48E04197S01	GMA01		
D317	48E04197S01	GMA01		
D318	48E04197S01	GMA01		
D319	48E04197S01	GMA01		
ZD301	48E04200S01	Zener, 1/2W, 5.5V, ZD50-055		
Capacitors				
C301	21E04361S02	CER., 220pF		
C302	21E04361S02	CER., 220pF		
C305	08E04348S05	MYL., 2700pF		
C306	08E04348S05	MYL., 2700pF		
C307	23E04334S01	ELY., 100 μ F/10V		
C309	23E04335S02	ELY., 100 μ F/16V		
C310	23E04335S02	ELY., 100 μ F/16V		
C311	23E04333S01	ELY., 10 μ F/16V		
C312	23E04333S01	ELY., 10 μ F/16V		
C313	08E04348S06	MYL., 0.027 μ F		
C314	08E04348S06	MYL., 0.027 μ F		
C315	08E04348S09	MYL., 7500pF		
C316	08E04348S09	MYL., 7500pF		
C317	08E04348S03	MYL., 1200pF		
C318	08E04348S03	MYL., 1200pF		
C320	08E04346S01	M.F., 0.1 μ F		
C321	08E04346S01	M.F., 0.1 μ F		
C322	23E04338S04	ELY., 1 μ F/50V		
C323	08E04346S01	M.F., 0.1 μ F		
C324	08E04348S01	MYL., 0.01 μ F		
C325	08E04346S01	M.F., 0.1 μ F		
C326	23E04338S04	ELY., 1 μ F/50V		
C327	23E04332S02	ELY., 22000 μ F/5.5V		
C328	21E04362S01	CER., 0.01 μ F		
C329	23E04340S01	ELY., 2200 μ F/6.3V		
C330	21E04362S01	CER., 0.01 μ F		
C331	21E04362S01	CER., 0.01 μ F		
C332	21E04357S02	CER., 33pF		
C333	21E04357S02	CER., 33pF		
C334	23E04336S01	ELY., 10 μ F/25V		

Symbol No.	Part No.	Description			Symbol No.	Part No.	Description		
C335	23E04338S06	ELY., 2.2 μ F/50V			Jacks				
C336	23E04336S03	ELY., 22 μ F/25V			RJ381	09E04285S01	RCA 4P, T5812-FA		
C337	23E04336S03	ELY., 22 μ F/25V			RJ382	09E04418S01	RCA 6P, T6181-AHBA		
C338	21E04352S01	CER., 0.047 μ F			Tone Control P. C. Board				
C339	21E04352S01	CER., 0.047 μ F			IC's/Transistors/Switch				
C340	23E04333S02	ELY., 4.7 μ F/25V			IC401	51E04237S01	μ PC4570C-1		
C341	21E04362S01	CER., 0.01 μ F			IC402	51E04238S01	μ PC4570HA-1		
C342	21E04362S01	CER., 0.01 μ F			Q401	48E04184S01	2SC2878		
C343	23E04338S04	ELY., 1 μ F/50V			Q402	48E04184S01	2SC2878		
C344	23E04336S01	ELY., 10 μ F/25V			SW401	40E04275S01	Push Switch, SW-1201206		
C345	21E04362S01	CER., 0.01 μ F			Capacitors				
C346	21E04362S01	CER., 0.01 μ F			C401	23E04342S01	ELY., 2.2 μ F/50V		
Resistors					C402	23E04342S01	ELY., 2.2 μ F/50V		
R317	06E04317S01	M.F., 210 ohm 1/6W			C407	23E04343S01	ELY., 10 μ F/16V		
R318	06E04317S01	M.F., 210 ohm 1/6W			C408	23E04343S01	ELY., 10 μ F/16V		
R346	06E04322S01	F.R., 10 ohm 1/2W			C409	21E04354S03	CER., 47pF		
R347	06E04322S01	F.R., 10 ohm 1/2W			C410	21E04354S03	CER., 47pF		
R348	06E04322S02	F.R., 18 ohm 1/2W			C411	23E04341S01	ELY., 10 μ F/16V		
RA301	06E04328S01	Block, 100k ohm \times 8			C412	23E04341S01	ELY., 10 μ F/16V		
RA302	06E04327S01	Block, 100k ohm \times 7			C413	08E04348S01	MYL., 0.01 μ F		
RA303	06E04326S01	Block, 22k ohm \times 4			C414	08E04348S01	MYL., 0.01 μ F		
RA304	06E04326S01	Block, 22k ohm \times 4			C415	08E04346S03	M.F., 0.082 μ F		
Jacks/Filter					C416	08E04346S03	M.F., 0.082 μ F		
RJ301	09E04287S01	RCA JACK 6P, T6060-AACA			C417	21E04354S02	CER., 7pF		
RJ302	09E04287S01	RCA JACK 6P, T6060-AACA			C418	21E04354S02	CER., 7pF		
CF301	91E04269S01	Filter, KBR-4.19Ms			C419	23E04345S01	ELY., 1 μ F/50V		
Function Control P. C. Board					C420	23E04345S01	ELY., 1 μ F/50V		
IC					C421	08E04348S07	MYL., 3300pF		
IC381	51E04234S01	TC9163N			C422	08E04348S07	MYL., 3300pF		
Capacitors					C423	23E04344S01	ELY., 22 μ F/25V		
C381	23E04336S06	ELY., 47 μ F/25V			C424	23E04344S01	ELY., 22 μ F/25V		
C383	23E04336S06	ELY., 47 μ F/25V			C425	08E04346S02	M.F., 0.12 μ F		
C385	21E04352S01	CER., 0.047 μ F			C426	08E04346S02	M.F., 0.12 μ F		
Resistors					C427	21E04362S01	CER., 0.01 μ F		
VR401	18E04272S01	Variable, Rotary Potentionmeter, VCT16-203B21F7			C428	21E04362S01	CER., 0.01 μ F		
VR402	18E04272S01	Variable, Rotary Potentionmeter, VCT16-203B21F7							

Symbol No.	Part No.	Description		
Volume Control P. C. Board				
Resistor				
VR451	18E04270S01	Variable, Rotary Potentionmeter, EUW-MLG337BC5		
Volume IND P. C. Board				
LED				
LD451	48E04216S01	SLR-34VC5F		
External Switch P. C. Board				
Switch				
SW453	40E04278S01	Slide Switch, SSB022		
Balance Control P. C. Board				
Resistor				
VR457	18E04271S01	Variable, 200k ohm, Rotary Potentionmeter, VBB16-204MN1F7		
Parallel Control P. C. Board				
Diodes				
D481	48E04197S01	GMA01		
D482	48E04197S01	GMA01		
Jacks				
DJ481	09E04295S01	DIN 5P, CS4450-01-1111		
DJ482	09E04296S01	DIN 8P, CS4490-01-1111		
RJ481	09E04286S01	RCA 4P, T5857-EA		
CD Straight Switch P. C. Board				
Switch				
SW451	40E04273S01	Push Switch, SW-1101202		

Symbol No.	Part No.	Description		
Loudness Control P. C. Board				
Switch/Capacitors				
SW452	40E04274S01	Rotary Switch, SW-1101208		
C455	08E04348S08	MYL., 0.039 μ F		
C456	08E04348S08	MYL., 0.039 μ F		
C459	21E04361S01	CER., 220pF		
C460	21E04361S01	CER., 220pF		
Tuner P. C. Board				
IC's				
IC001	51E04219S01	LA1222		
IC002	51E04220S01	LA1235		
IC051	51E04221S01	LA1245		
IC101	51E04222S01	LA3401		
IC102	51E04238S01	μ PC4570HA-1		
IC151	51E04228S01	LM7000		
IC152	51E04223S01	LA6458SS		
Transistors				
Q001	48E04181S01	2SC2668		
Q002	48E04181S01	2SC2668		
Q003	48E04181S01	2SC2668		
Q004	48E04181S01	2SC2668		
Q005	48E04183S01	2SC2785		
Q006	48E04183S01	2SC2785		
Q007	48E04183S01	2SC2785		
Q008	48E04183S01	2SC2785		
Q009	48E04181S01	2SC2668		
Q051	48E04192S01	FET, 2SK161		
Q052	48E04183S01	2SC2785		
Q053	48E04183S01	2SC2785		
Q054	48E04181S01	2SC2668		
Q101	48E04183S01	2SC2785		
Q102	48E04175S01	2SA1345		
Q103	48E04183S01	2SC2785		
Q104	48E04194S01	FET, 2SK381		
Q105	48E04183S01	2SC2785		
Q106	48E04183S01	2SC2785		
Q107	48E04175S01	2SA1345		
Q108	48E04183S01	2SC2785		
Q109	48E04175S01	2SA1345		
Q110	48E04188S01	2SC3399		
Q151	48E04175S01	2SA1345		
Q152	48E04183S01	2SC2785		

Symbol No.	Part No.	Description			Symbol No.	Part No.	Description		
Q191	48E04177S01	2SB621NC			Capacitors				
Q192	48E04177S01	2SB621NC			C001	21E04362S01	CER., 0.01 μ F		
Q193	48E04190S01	2SD592NC			C002	21E04365S01	CER., 0.022 μ F		
Diodes/LED					C003	21E04365S01	CER., 0.022 μ F		
D001	48E04197S01	GMA01			C004	21E04365S01	CER., 0.022 μ F		
D002	48E04197S01	GMA01			C005	21E04369S01	CER., 0.022 μ F		
D003	48E04197S01	GMA01			C006	21E04362S01	CER., 0.01 μ F		
D004	48E04197S01	GMA01			C007	21E04362S01	CER., 0.01 μ F		
D005	48E04197S01	GMA01			C008	21E04359S01	CER., 1000pF		
D006	48E04213S01	1S188FM			C009	21E04365S01	CER., 0.022 μ F		
D007	48E04213S01	1S188FM			C010	21E04365S01	CER., 0.022 μ F		
D008	48E04213S01	1S188FM			C011	21E04365S01	CER., 0.022 μ F		
D009	48E04213S01	1S188FM			C012	23E04338S02	ELY., 0.22 μ F/50V		
D101	48E04197S01	GMA01			C014	21E04369S01	CER., 0.022 μ F		
D151	48E04197S01	GMA01			C015	21E04365S01	CER., 0.022 μ F		
D152	48E04197S01	GMA01			C016	23E04338S04	ELY., 1 μ F/50V		
D153	48E04197S01	GMA01			C017	21E04365S01	CER., 0.022 μ F		
D154	48E04197S01	GMA01			C018	23E04335S03	ELY., 220 μ F/16V		
D174	48E04197S01	GMA01			C021	21E04353S01	CER., 10pF		
LD151	48E04215S01	LED, SEL2110REX			C022	23E04338S04	ELY., 1 μ F/50V		
VD051	48E04198S01	Varactor, KV1226-Y			C023	21E04357S02	CER., 33pF		
VD052	48E04198S01	Varactor, KV1226-Y			C024	23E04338S04	ELY., 1 μ F/50V		
ZD191	48E04202S01	Zener, 1/2W, 6.2V, ZD50-062			C025	23E04335S04	ELY., 47 μ F/16V		
Coils/Trimmers					C027	21E04357S02	CER., 33pF		
L001	24E04244S01	FM DET Coil, 141026			C029	21E04365S01	CER., 0.022 μ F		
L002	24E04245S01	Filter Coil, 143019			C031	21E04362S01	CER., 0.01 μ F		
L003	24E04243S01	MW ANT Coil, 126044			C032	21E04362S01	CER., 0.01 μ F		
L004	24E04247S01	MW IFT, 140058			C033	21E04365S01	CER., 0.022 μ F		
L005	24E04246S01	MW OSC Coil, 135025			C034	23E04338S02	ELY., 0.22 μ F/50V		
L007	24E04248S01	Filter Block, 184018			C035	21E04362S01	CER., 0.01 μ F		
L008	24E04248S01	Filter Block, 184018			C036	08E04347S02	MYL., 1800pF		
TC051	20E04370S01	Trimmer, CTC-6U-010			C037	21E04355S01	CER., 100pF		
TC052	20E04370S01	Trimmer, CTC-6U-010			C038	23E04335S04	ELY., 47 μ F/16V		
TC151	20E04370S02	Trimmer, CTC-6U-030			C039	21E04365S01	CER., 0.022 μ F		
					C071	21E04353S01	CER., 10pF		
					C072	21E04365S01	CER., 0.022 μ F		
					C073	21E04353S03	CER., 15pF		
					C074	08E04350S01	POLY., 470pF		
					C075	21E04365S01	CER., 0.022 μ F		
					C076	23E04336S05	ELY., 4.7 μ F/25V		
					C077	23E04336S01	ELY., 10 μ F/25V		
					C078	21E04365S01	CER., 0.022 μ F		
					C079	23E04338S03	ELY., 0.47 μ F/50V		
					C080	21E04365S01	CER., 0.022 μ F		
					C081	21E04351S01	CER., 0.01 μ F		
					C082	08E04347S04	MYL., 0.022 μ F		
					C083	23E04338S02	ELY., 0.22 μ F/50V		
					C084	08E04347S07	MYL., 0.015 μ F		
					C085	23E04335S02	ELY., 100 μ F/16V		
					C086	21E04359S01	CER., 1000pF		
					C087	21E04359S01	CER., 1000pF		

NOTE: When replacing varactor diodes VD051 and VD052 always a diode with the same rank.

Symbol No.	Part No.	Description			Symbol No.	Part No.	Description		
C088	21E04365S01	CER., 0.022 μ F			Resistors				
C089	21E04365S01	CER., 0.022 μ F			SVR001	18E04324S02	Semi-Variable, RHO614C-103		
C090	23E04336S01	ELY., 10 μ F/25V			SVR101	18E04325S02	Semi-Variable SVR-06T3B503CM		
C091	21E04365S01	CER., 0.022 μ F			SVR102	18E04325S03	Semi-Variable, SVR-06T3B504		
C092	21E04365S01	CER., 0.022 μ F			SVR151	18E04325S01	Semi-Variable, SVR-06T3B223		
C093	21E04365S01	CER., 0.022 μ F			SVR152	18E04325S01	Semi-Variable, SVR-06T3B223		
C094	21E04359S01	CER., 1000pF			SVR153	18E04325S01	Semi-Variable, SVR-06T3B223		
C096	21E04351S01	CER., 0.01 μ F			SVR171	18E04325S01	Semi-Variable, SVR-06T3B223		
C101	23E04338S01	ELY., 1 μ F/50V			Filters/Crystal				
C102	23E04335S04	ELY., 47 μ F/16V			F001	91E04266S01	CER., Filter, SFE10.7MLK-A		
C103	08E04347S06	MYL., 0.047 μ F			F002	91E04266S01	CER., Filter, SFE10.7MLK-A		
C104	23E04335S02	ELY., 100 μ F/16V			F003	91E04266S01	CER., Filter, SFE10.7MLK-A		
C105	23E04338S04	ELY., 1 μ F/50V			F004	91E04267S01	CER., Filter, SFE10.7MZ1-A		
C106	23E04338S02	ELY., 0.22 μ F/50V			F051	91E04264S01	CER., Filter, KBF-450P-4AS		
C107	23E04336S05	ELY., 4.7 μ F/25V			F101	91E04265S01	CER., Filter, 457kHz, KBR-457HS		
C108	23E04338S04	ELY., 1 μ F/50V			X151	48E04268S01	Quartz Oscillator Unit, HC18/U7.200MHZ		
C109	23E04338S04	ELY., 1 μ F/50V			Display P. C. Board				
C110	23E04333S01	ELY., 10 μ F/16V			IC's/Transistors				
C111	08E04347S03	MYL., 2200pF			IC201	51E04236S01	TC9301AN-008		
C112	08E04347S03	MYL., 2200pF			IC203	51E04235S01	TC9173P		
C113	23E04336S05	ELY., 4.7 μ F/25V			IC204	51E04224S01	LB1423N		
C114	23E04336S05	ELY., 4.7 μ F/25V			Q201	48E04183S01	2SC2785		
C121	08E04347S05	MYL., 3900pF			Q202	48E04175S01	2SA1345		
C122	08E04347S05	MYL., 3900pF			Diodes/LED's				
C123	23E04336S01	ELY., 10 μ F/25V			D201	48E04197S01	GMA01		
C124	23E04336S01	ELY., 10 μ F/25V			D202	48E04197S01	GMA01		
C125	23E04336S01	ELY., 10 μ F/25V			D203	48E04197S01	GMA01		
C126	23E04336S01	ELY., 10 μ F/25V			D204	48E04197S01	GMA01		
C127	23E04338S04	ELY., 1 μ F/50V			D205	48E04197S01	GMA01		
C129	23E04336S01	ELY., 10 μ F/25V							
C130	23E04336S01	ELY., 10 μ F/25V							
C151	21E04363S01	CER., 4700pF							
C152	23E04333S03	ELY., 0.1 μ F/50V							
C153	08E04348S04	MYL., 0.022 μ F							
C154	23E04336S01	ELY., 10 μ F/25V							
C155	23E04338S05	ELY., 10 μ F/50V							
C156	23E04334S04	ELY., 47 μ F/10V							
C157	21E04365S01	CER., 0.022 μ F							
C158	21E04355S01	CER., 100pF							
C159	21E04355S01	CER., 100pF							
C160	21E04355S01	CER., 100pF							
C161	21E04355S01	CER., 100pF							
C162	21E04357S02	CER., 33pF							
C163	21E04353S03	CER., 15pF							
C191	23E04336S01	ELY., 10 μ F/25V							
C192	23E04336S01	ELY., 10 μ F/25V							

Symbol No.	Part No.	Description			Symbol No.	Part No.	Description		
D206	48E04197S01	GMA01			Capacitors/Crystal				
D207	48E04197S01	GMA01			C201	23E04336S05	ELY., 4.7 μ F/25V		
D208	48E04197S01	GMA01			C202	23E04334S03	ELY., 47 μ F/10V		
D209	48E04197S01	GMA01			C203	21E04369S01	CER., 0.022 μ F		
D210	48E04197S01	GMA01			C204	23E04338S01	ELY., 0.1 μ F/50V		
LD201	48E04216S01	LED, SLR-34VC5F			C205	21E04357S01	CER., 27pF		
LD202	48E04216S01	LED, SLR-34VC5F			C206	21E04357S01	CER., 27pF		
LD203	48E04216S01	LED, SLR-34VC5F			C207	21E04369S01	CER., 0.022 μ F		
LD204	48E04216S01	LED, SLR-34VC5F			C208	23E04334S02	ELY., 220 μ F/10V		
LD205	48E04216S01	LED, SLR-34VC5F			X201	48E04268S01	Crystal, Quarts Oscillator Unit HC18/ U7.200MHz		
LD206	48E04216S01	LED, SLR-34VC5F			Resistor				
LD212	48E04216S01	LED, SLR-34VC5F			RV201	01E04375S01	Remote Signal Receiving Unit, BX-1407		
LD213	48E04216S01	LED, SLR-34VC5F			Back Up P. C. Board				
LD214	48E04216S01	LED, SLR-34VC5F			Switch/Capacitor/Transistor				
LD216	48E04216S01	LED, SLR-34VC5F			SW235	40E04279S01	Switch Slide, SSS212A		
Coil/Switches					C235	23E04332S01	CAP., ELY., 2200 μ F/5.5V		
L201	24E04242S01	Inductor, 100 μ H			Q235	48E04183S01	TR., 2SC2785		
SW201	40E04281S01	Switch Tact, SKHHAP			Video P. C. Board				
SW202	40E04281S01	Switch Tact, SKHHAP			IC/Transistors				
SW203	40E04281S01	Switch Tact, SKHHAP			IC252	51E04227S01	LC4066B		
SW204	40E04281S01	Switch Tact, SKHHAP			Q251	48E04179S01	2SC1815		
SW205	40E04281S01	Switch Tact, SKHHAP			Q252	48E04169S01	2SA1015		
SW206	40E04281S01	Switch Tact, SKHHAP			Q253	48E04179S01	2SC1815		
SW212	40E04281S01	Switch Tact, SKHHAP			Q254	48E04169S01	2SA1015		
SW213	40E04281S01	Switch Tact, SKHHAP			Capacitors				
SW214	40E04281S01	Switch Tact, SKHHAP			C252	23E04335S02	ELY., 100 μ F/16V		
SW216	40E04281S01	Switch Tact, SKHHAP			C253	23E04335S02	ELY., 100 μ F/16V		
SW217	40E04281S01	Switch Tact, SKHHAP			C254	23E04334S04	ELY., 47 μ F/10V		
SW218	40E04280S01	Switch Tact, SKHHAM			C255	23E04335S05	ELY., 470 μ F/16V		
SW219	40E04280S01	Switch Tact, SKHHAM							
SW220	40E04280S01	Switch Tact, SKHHAM							
SW221	40E04280S01	Switch Tact, SKHHAM							
SW222	40E04281S01	Switch Tact, SKHHAP							
SW223	40E04281S01	Switch Tact, SKHHAP							
SW224	40E04281S01	Switch Tact, SKHHAP							
SW225	40E04281S01	Switch Tact, SKHHAP							
SW226	40E04281S01	Switch Tact, SKHHAP							
SW227	40E04281S01	Switch Tact, SKHHAP							
SW228	40E04281S01	Switch Tact, SKHHAP							
SW229	40E04281S01	Switch Tact, SKHHAP							
SW230	40E04281S01	Switch Tact, SKHHAP							
SW231	40E04281S01	Switch Tact, SKHHAP							
SW232	40E04281S01	Switch Tact, SKHHAP							

Symbol No.	Part No.	Description			Symbol No.	Part No.	Description		
C256	23E04334S05	ELY., 470 μ F/10V			P1	30E04373S01	AC Power Cord		
C257	21E04353S02	CER., 12pF			J1	09E04291S01	AC Outlet		
C258	23E04334S05	ELY., 470 μ F/10V			J2	09E04291S01	AC Outlet		
C259	21E04353S02	CER., 12pF			J3	09E04291S01	AC Outlet		
Jack									
RJ251	09E04288S01	RCA 4P, T6126-BAAA							
Tuner Switch P. C. Board									
Switch									
SW236	40E04276S01	Push Switch, SW-1201209							
Capacitor P. C. Board									
Capacitors/PTC									
C801	23E04330S01	ELY., 8200 μ F/71V							
C802	23E04330S01	ELY., 8200 μ F/71V							
C803	23E04329S01	ELY., 8200 μ F/63V							
C804	23E04329S01	ELY., 8200 μ F/63V							
PTC801	48E05105S01	RDE135A							
PTC802	48E05105S01	RDE135A							
Serial Control P. C. Board									
Jacks									
DJ491	09E04294S01	DIN. 4P, CS4440-01-1111							
DJ492	09E04293S01	DIN 3P, CS4430-01-1111							
MJ491	09E04290S01	MIC, YKB21-5129							
Miscellaneous									
● T801	25E04300S01	Power Transformer, NPT-2404S							
■ T801	25E04300S02	Power Transformer NPT-2404SA							
FU801	65E04301S01	Fuse, FU-627024-312							
PL301	65E04284S01	Lamp, PL-12350023E							
FL201	65E04282S01	Fluorescence Lamp, 6MT-99GK							

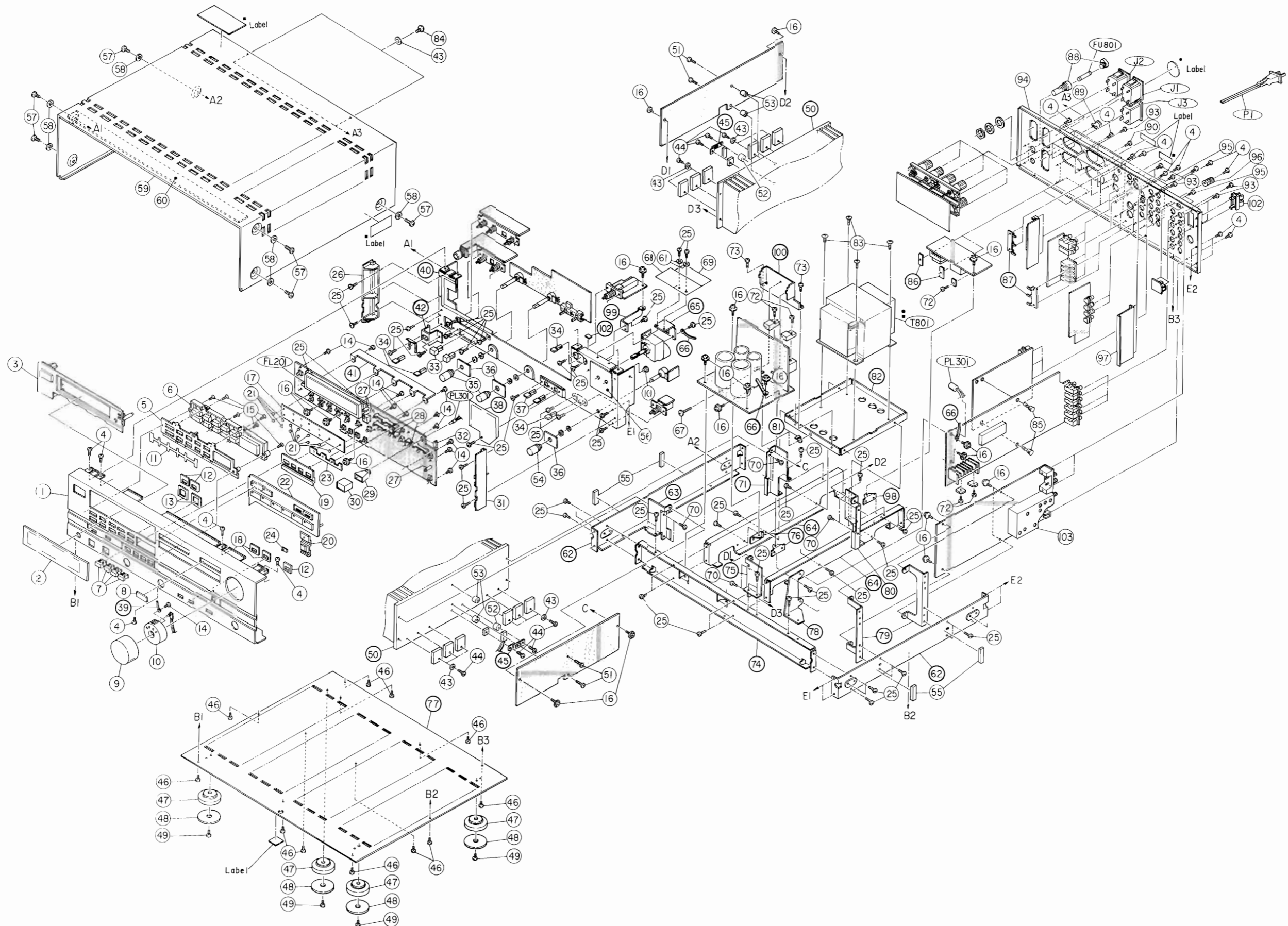
Notes : ● : For North American model only (UZ), ■ : For Canadian model only (UQ), Others : Common.

Cabinet Assembly Parts List

Symbol No.	Index	Part No.	Description	Symbol No.	Index	Part No.	Description
1	4-A	64E04444S01	Front Panel	46		03E04479S03	Tap Screw S, Bind Head, B (M3×8)
2	4-A	61E04380S01	Display Glass	47		75A67063F03	Trann-Leg
3	3-A	01E04451S01	Assy., Display Frame	48		75E04453S01	Felt (Leg)
4		03E04479S02	Tap Screw S, Bind Head, B (M3×6)	49		03E04480S03	Tap Screw S, Bind Head, Y (M4×14)
5	3-B	07E04449S01	Guide, Preset	51		03E04477S03	Tap Screw B, Bind Head, Y (M3×20)
6	3-B	36E04393S01	Button, Preset	52		46E04463S01	Stud
7	4-B	36A83537F01	Knob, Push Scan	53		46E04462S01	Stud
8	4-B	61E04382S01	Glass, Lamp	54	3-D	36A80706F01	Knob, Rotary Tone
9	5-B	36E04385S01	Knob Cap, VR	55		75E04465S01	Rubber, Cushion
10	4-B	36E04386S01	Knob Base, VR	56	3-E	75E04454S01	Cloth (Knob)
11	3-B	11E04474S01	Tape, Double Face	57		03E04479S05	Tap Screw, Bind Head, B (M4×8)
12		07E04446S01	Button Guide	58		04E04486S01	Plain Washer, B (M10.4×8)
13	3-B	07A80693F01	ESC, Knob Recout	59	2-B	15E04383S01	Cabinet
14		03E04478S02	Tap Screw P, Round Head, Y (M3×8)	60	2-B	75E04473S01	Cabinet Mat
15	3-B	03E04484S01	Tap Screw, Flat Head, Y (M2.6×6)	61	2-E	04E04485S02	Plain, Washer, N (M8.3×5)
16		03E04481S02	Tap Screw S, Washer Faced, Y (M3×6)	67	3-E	03E04483S01	Tap Screw, Washer Faced (M3×18)
17	3-B	75E04456S01	Cloth (Knob)	68	2-E	14E04470S01	Shield Sheet
18	4-B	07E04448S01	Button Guide	69	2-E	75E04458S01	Cloth, Blind
19	4-C	07E04447S01	Button Guide	70		03E04477S01	Tap Screw B, Bind Head, Y (M3×6)
20	4-C	01E04445S01	Assy., Tact Guide	72		03E04479S03	Tap Screw S, Bind Head, B (M3×8)
21		43E04467S01	Spacer	73		03E04480S02	Tap Screw S, Bind Head, Y (M3×8)
22	3-C	01E04450S01	Assy., Button Guide	83	2-E	03E04482S01	Tap Screw S, Truss, Y (M4×8)
23	3-C	75E04457S01	Cloth (Knob)	84	1-D	03E04479S02	Tap Screw S, Bind Head, B (M3×6)
24	4-C	61E04452S01	LED, Lens	85	3-G	43E04502S01	Spacer
25		03E04480S01	Tap Screw S, Bind Head, Y (M3×6)	88	1-G	07E04292S01	Fuse Holder
26	2-C	64E04379S01	Side Cap	89	1-G	43E04374S01	Cord Stopper
27		04E04466S01	Washer	90	1-H	03E04481S01	Tap Screw S, Washer Faced (M3×6)
28	3-C	43E04460S01	Guide, LED	93		03E04478S01	Tap Screw P, Round Head, B (M3×8)
29	4-C	43E04461S01	Lamp Holder	94	1-G	15E04384S01	Rear Panel
30	4-C	14E04472S01	Shield Tube	95		03E04479S01	Tap Screw S, Bind Head, B (M2.6×5)
31	4-D	64E04379S02	Side Cap	96	2-H	09E04499S01	Ground Terminal
32	3-D	14E04471S01	Shield Cloth	97	3-G	14E04459S01	Shield Plate
33	3-D	36A80694F01	Knob, Push Recout	101	3-E	43E04443S01	Bush
34		36A67333F01	Knob, Push	102		85E04250S01	Loop Antenna
35	3-D	36E04387S01	Knob, VR	103	4-G	77E04302S01	Front End F019A (FE001)
36		75E04455S01	Cloth (Knob)				
37	3-D	36A72661F01	Knob, Push Tone				
38	3-D	14E04469S01	Shield Sheet				
43		04E04485S01	Plain Washer, B				
44		03E04477S02	Tap Screw B, Bind Head, Y (M3×14)				

NOTE: The parts without part numbers are not supplied.

Exploded View (Cabinet)

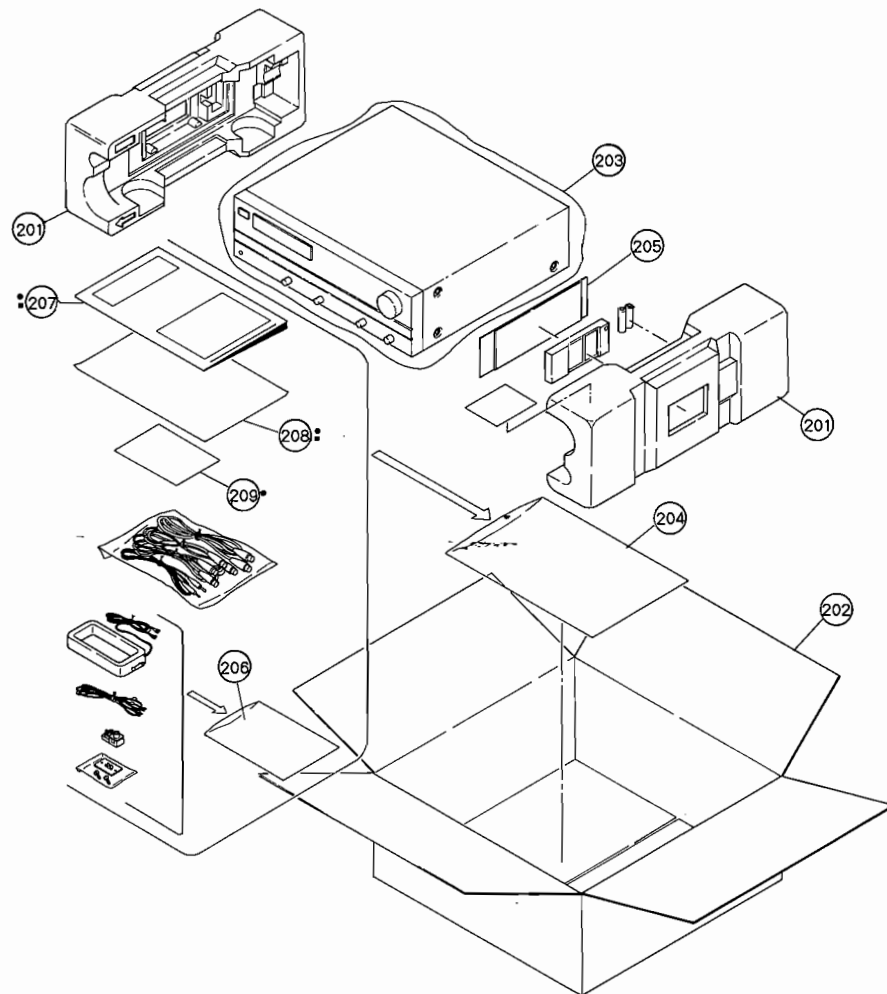


Packing Assembly Parts List

Symbol No.	Part No.	Description			Symbol No.	Part No.	Description		
201	56E04398S01	Packing Pad			206	56E04475S03	Polyethylene Bag		
202	56E04396S01	Inner Carton			● 207	68P81880F57	Instruction Manual		
203	56E04475S01	Polyethylene Bag (Unit)			■ 207	68P81880F58	Instruction Manual		
204	56E04475S02	Polyethylene Bag (Accessories)			● 208	68P44370P66	Card, Warranty		
205	56E04397S01	Packing Pad			■ 208	68P44370P63	Card, Warranty		
					● 209	68R57674F01	Card, Business Reply		

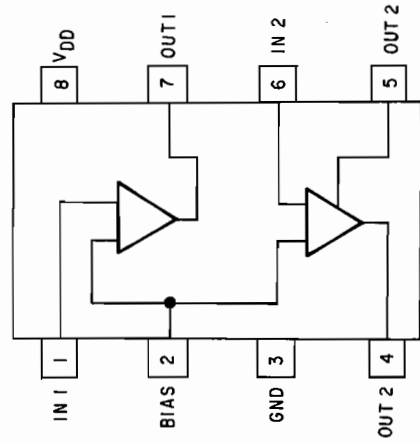
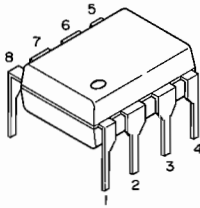
Notes : ● : For North American model only (UZ), ■ : For Canadian model only (UQ), Others : Common.

Packing Method View

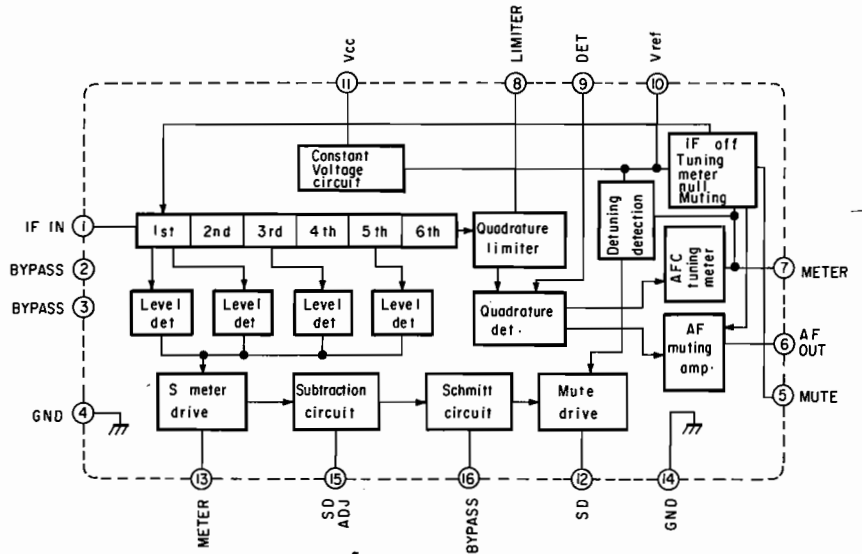
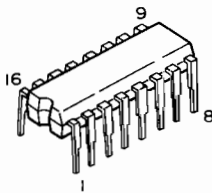


Semi-Conductor Lead Identifications

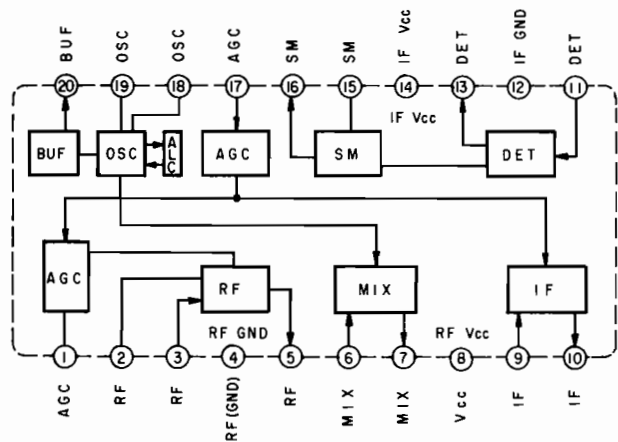
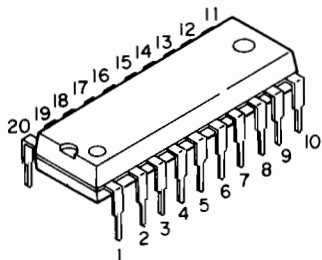
LA1222 : IC001



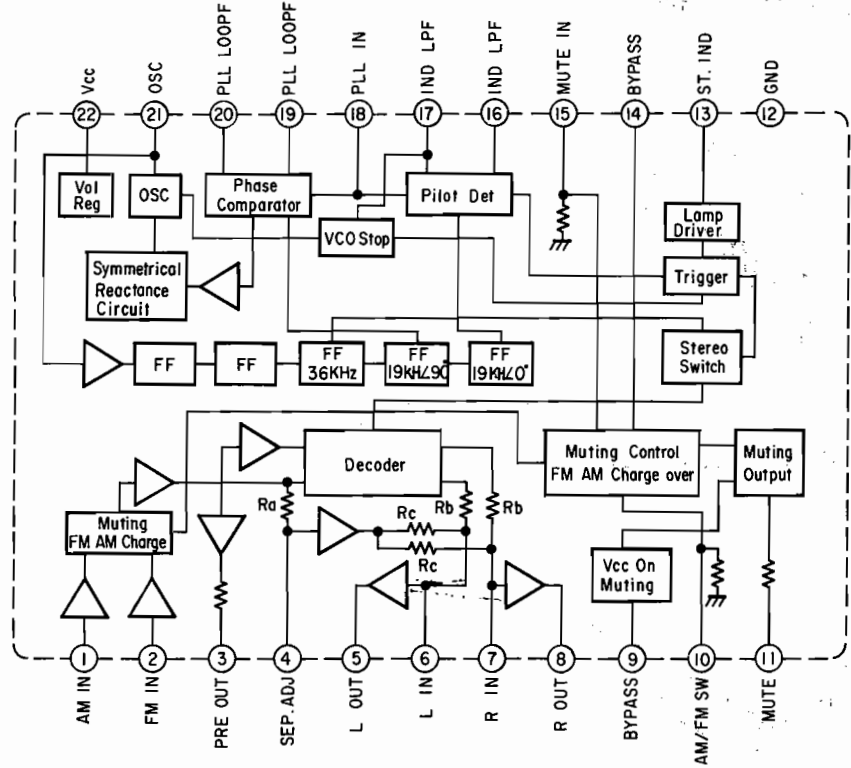
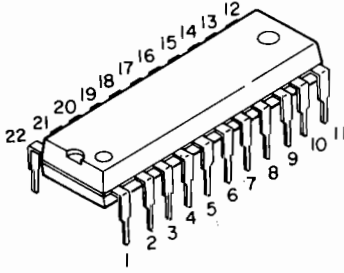
LA1235 : IC002



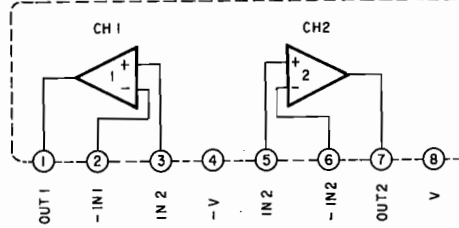
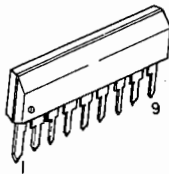
LA1245 : IC051



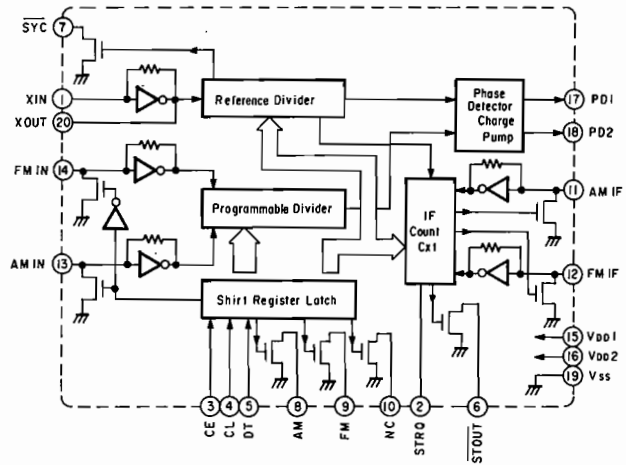
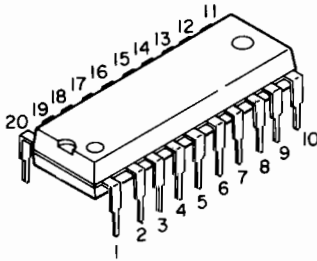
LA3401 : IC101



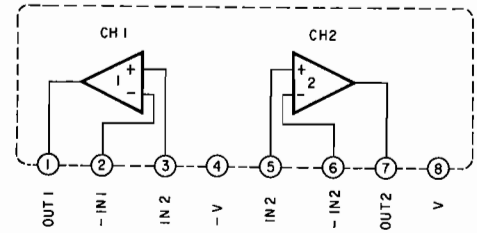
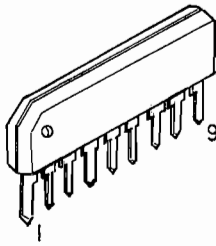
μ PC4570HA1 : IC102, 301, 402



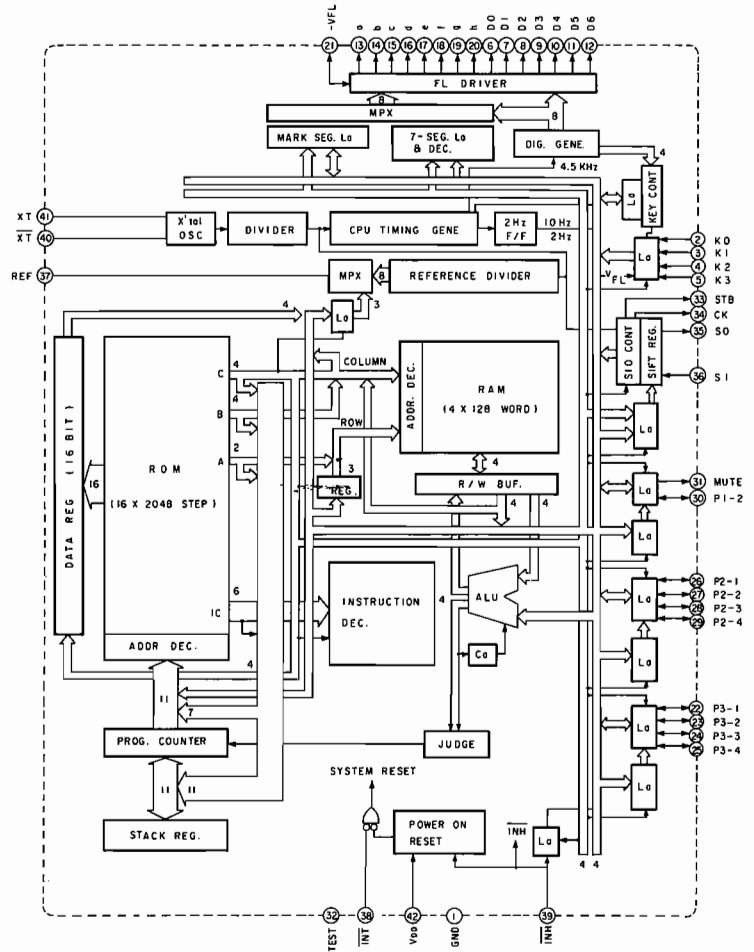
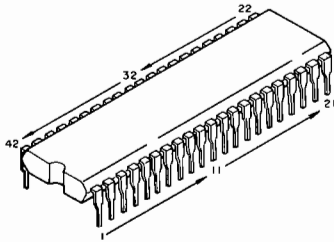
LM7000 : IC151



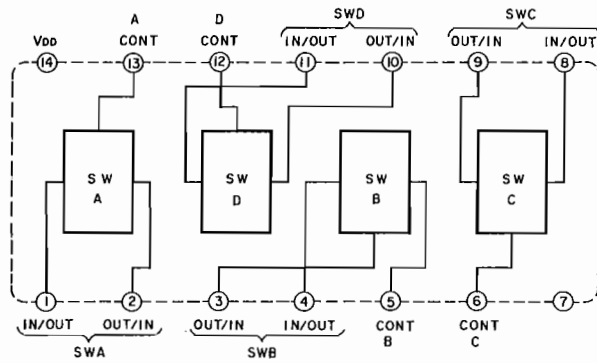
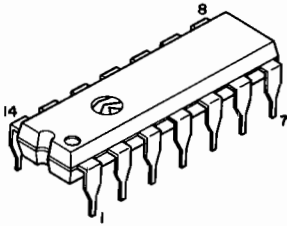
LA6458SS : IC152



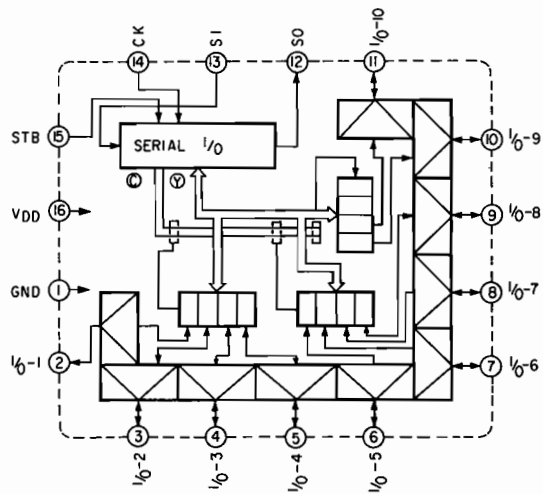
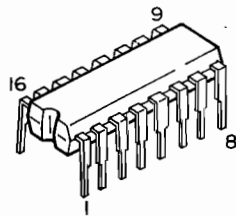
TC9301AN008 : IC201



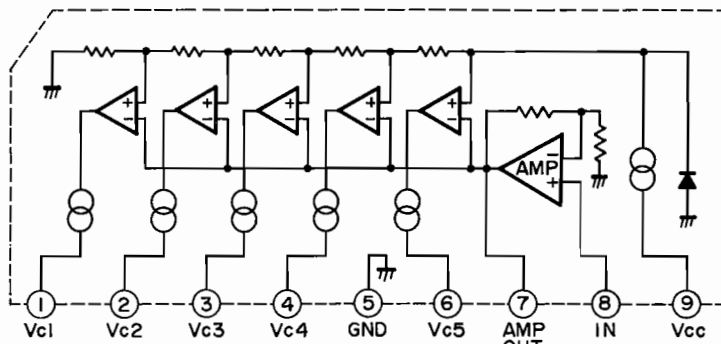
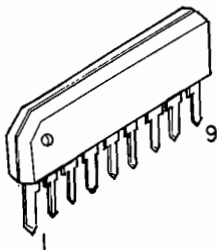
LC4066B : IC202, 251, 252



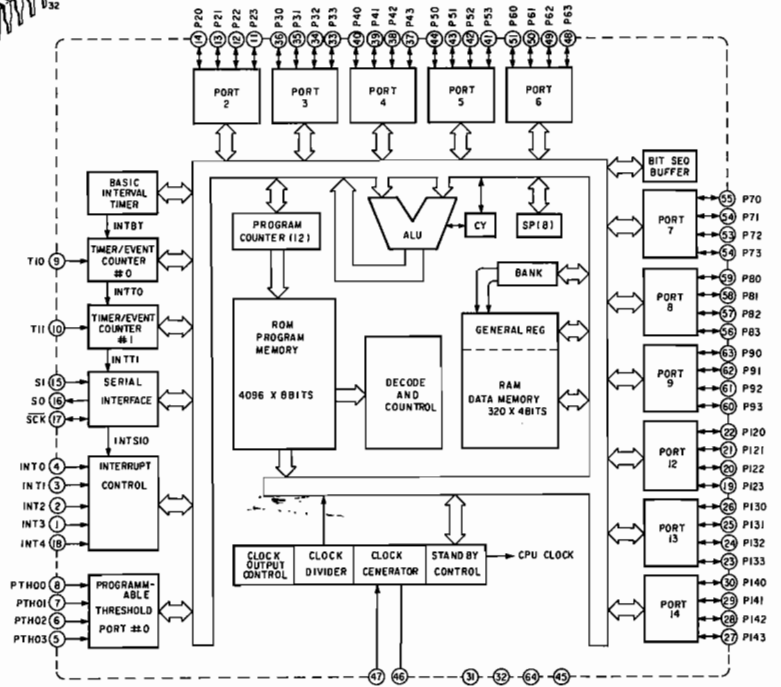
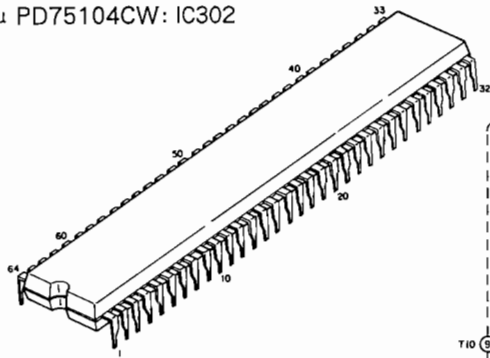
TC9173P : IC203



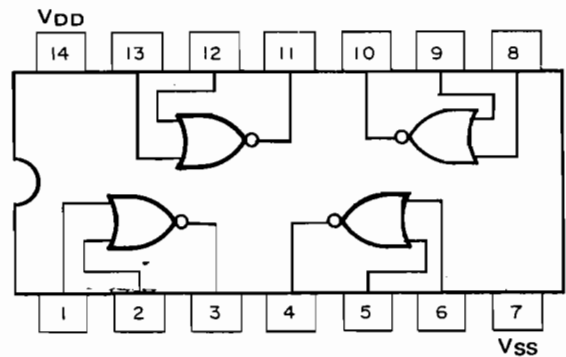
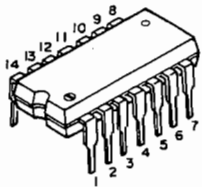
LB1423N : IC204



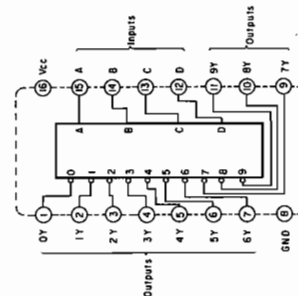
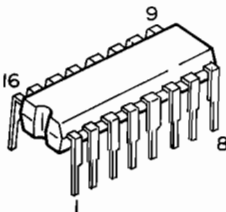
μ PD75104CW: IC302



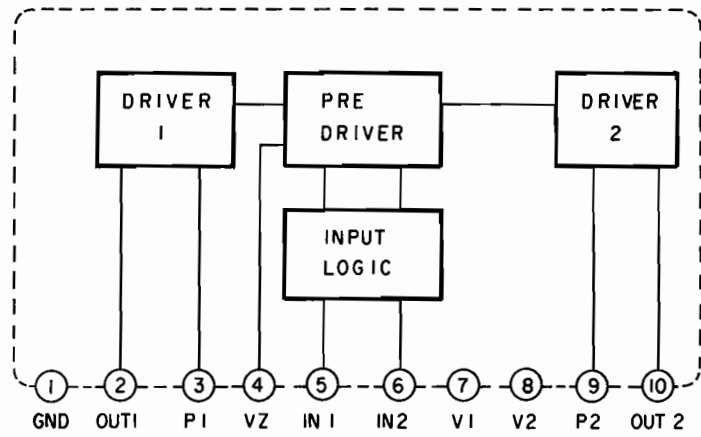
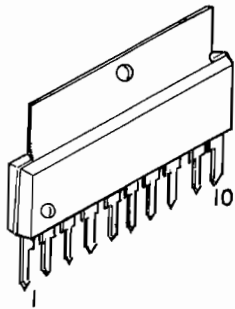
LC4001B : IC303, 311



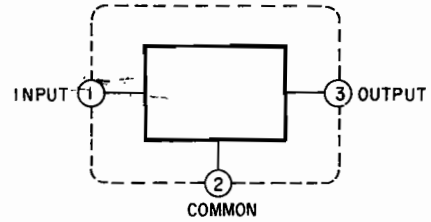
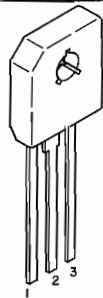
HD74145P : IC304
DN74LS145 : IC305



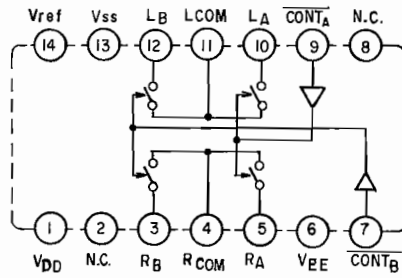
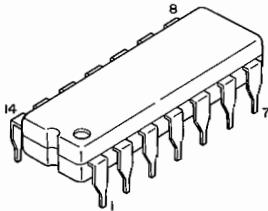
LB1645N : IC306



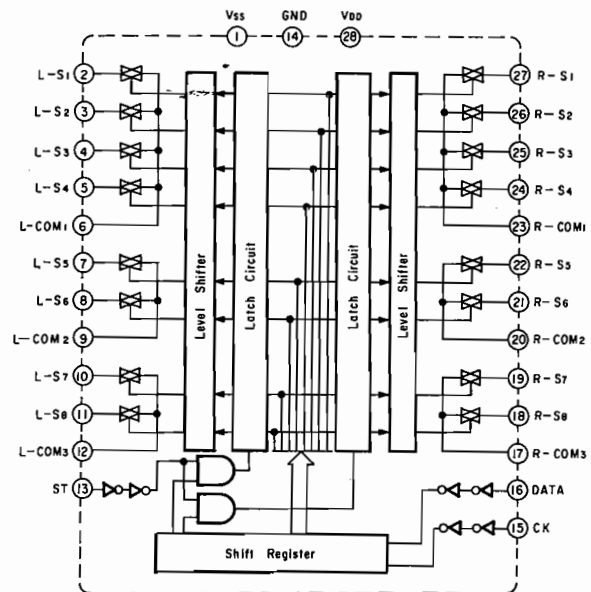
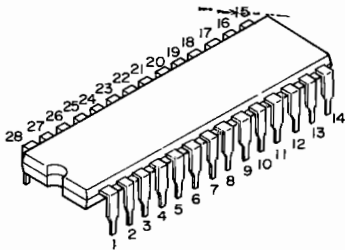
L78N05 : IC309
L78N10 : IC701
L78N12 : IC307, 308



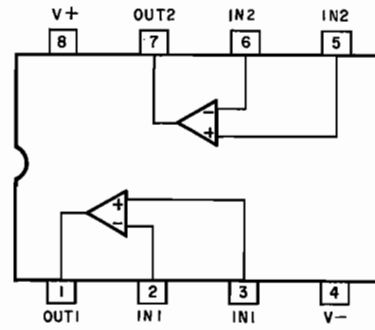
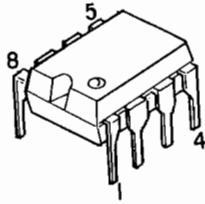
μ PD6360C : IC310



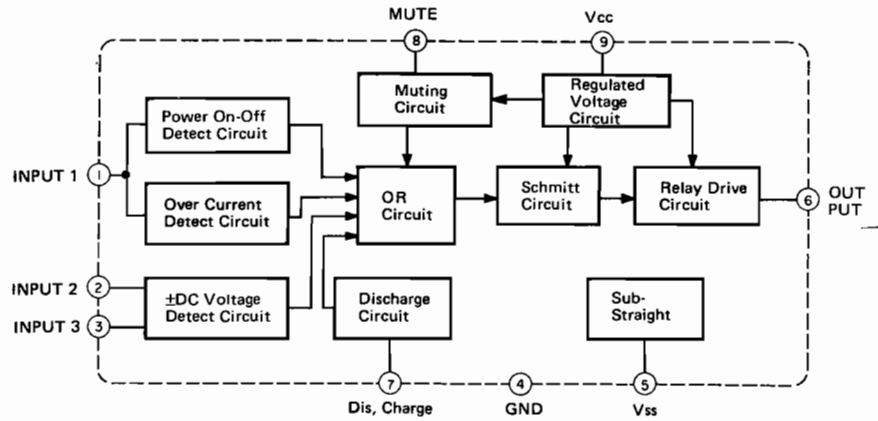
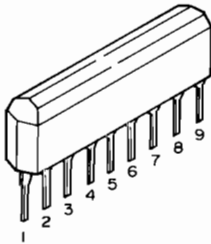
TC9163N : IC381



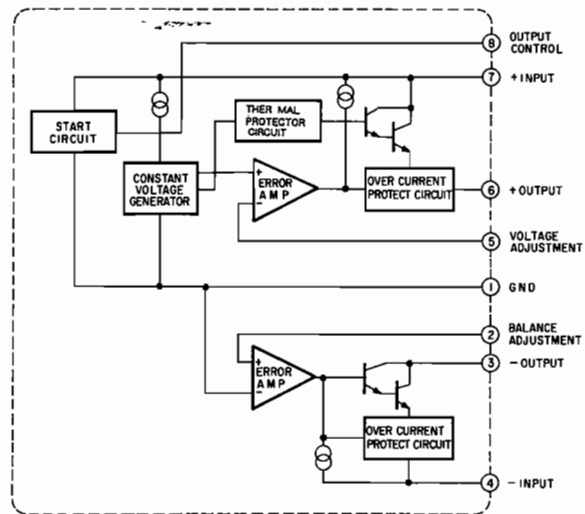
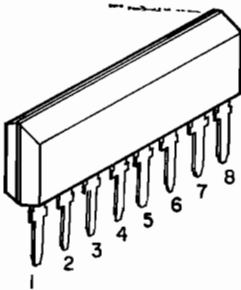
μ PC4570C1 : IC401



TA7317P : IC651



M5230L : IC702



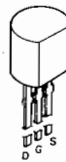
2SD592 : Q193
 2SB621 : Q191, 192



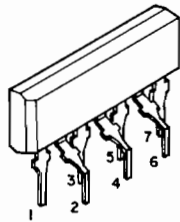
2SC1815 : Q251, 253, 255
 2SA1015 : Q252, 254, 256
 2SC2878 : Q317, 318, 401, 402



2SK170 : Q301, 302, 303, 304



2SK389 : Q501, 502



1. Drain 1
2. Gate 1
3. Source 1
4. Sub-straight
5. Source 2
6. Gate 2
7. Drain 2

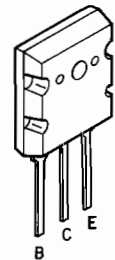
2SC2705 : Q515, 516, 519, 520
 2SA1145 : Q513, 514



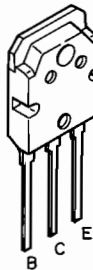
2SD600K : Q527, 528
 2SB631K : Q543, 544
 2SC1953 : Q523, 524



2SA1302 : Q533, 534, 536, 545, 546
 2SC3280 : Q529, 530, 537, 538, 539, 540



2SC3907 : Q547, 548
 2SA1516 : Q531, 532



2SD1913 : Q752
 2SB1274 : Q751





LUX CORPORATION, JAPAN

1-8, 1-Chome, Nishigotanda, Shinagawa-ku, Tokyo 141 Japan
Phone: 03-493-4381 Facsimile: 03-494-8426

1/88-S
68P10505W02
Printed in Japan